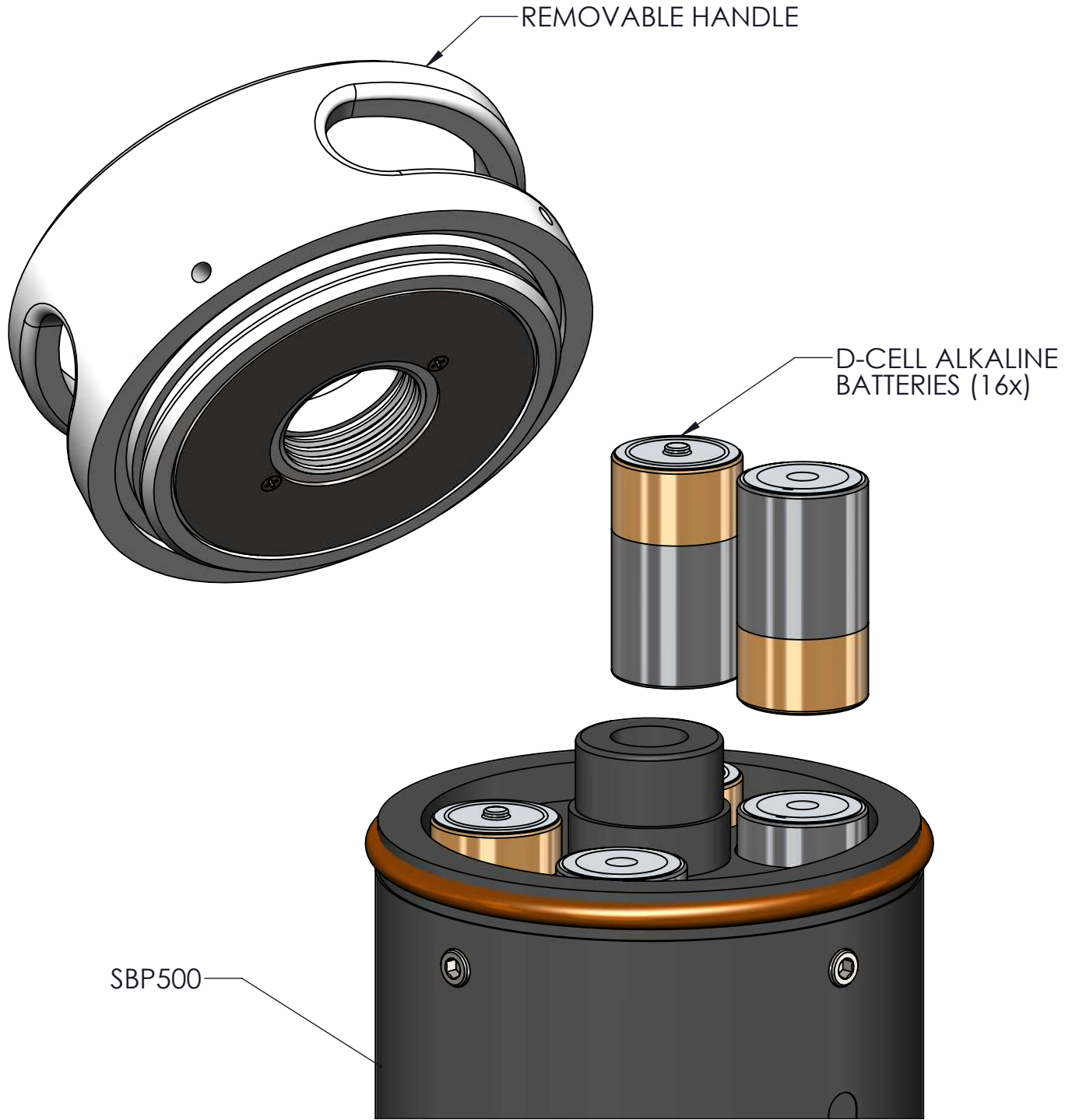


DRAWING DIMENSIONS IN INCHES

TITLE: <b>NEXSENS SBP500 SUBMERSIBLE BATTERY PACK</b>	
DRAWING NUMBER: <b>NEX753</b>	SHEET: <b>1 of 2</b>
This drawing and the information thereon is the property of NexSens Technology All unauthorized use and reproduction is prohibited. <www.NexSens.com>	





DRAWING DIMENSIONS IN INCHES

TITLE:  
**NEXSENS SBP500 SUBMERSIBLE BATTERY PACK - BATTERY INSTALLATION**

DRAWING NUMBER:  
**NEX754**

SHEET:  
**2 of 2**

This drawing and the information thereon is the property of NexSens Technology  
 All unauthorized use and reproduction is prohibited. <[www.NexSens.com](http://www.NexSens.com)>

