

TITLE:

NEXSENS iSIC DATA LOGGER - DIMENSIONAL VIEWS

DRAWING NUMBER:

NEX2722

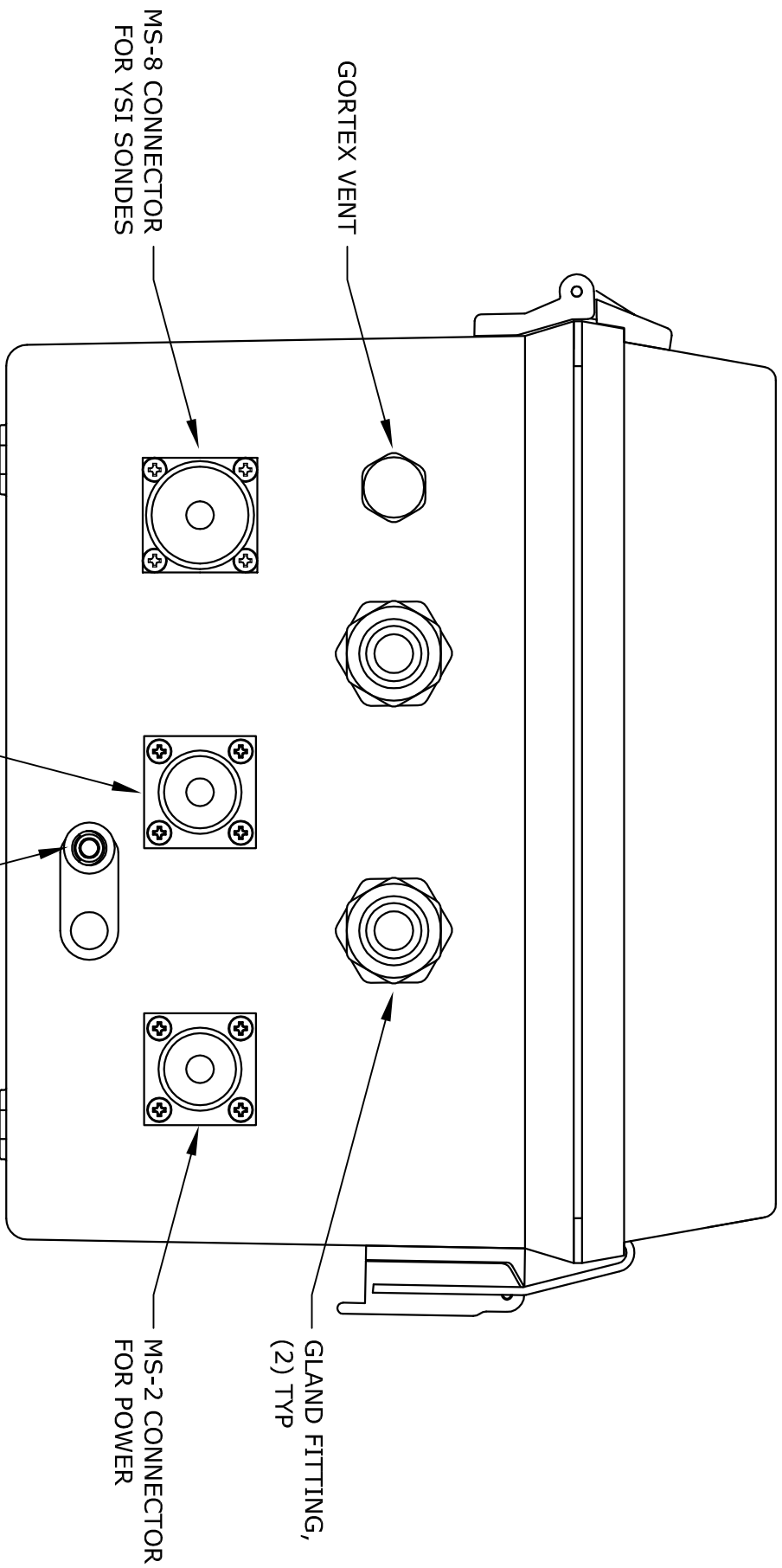
SHEET:

1 of 3

Drawing Dimensions in Inches

This drawing and the information thereon is the property of NexSens Technology. All unauthorized use and reproduction is prohibited. <www.NexSens.com>





GORTEX VENT

MS-8 CONNECTOR
FOR YSI SONDES

MS-3 CONNECTOR
FOR RS-232 INTERFACE

GROUNDING LUG

GLAND FITTING,
(2) TYP

MS-2 CONNECTOR
FOR POWER

TITLE:

NEXSENS iSIC DATA LOGGER - CONNECTOR LAYOUT

DRAWING NUMBER:

NEX273

SHEET:

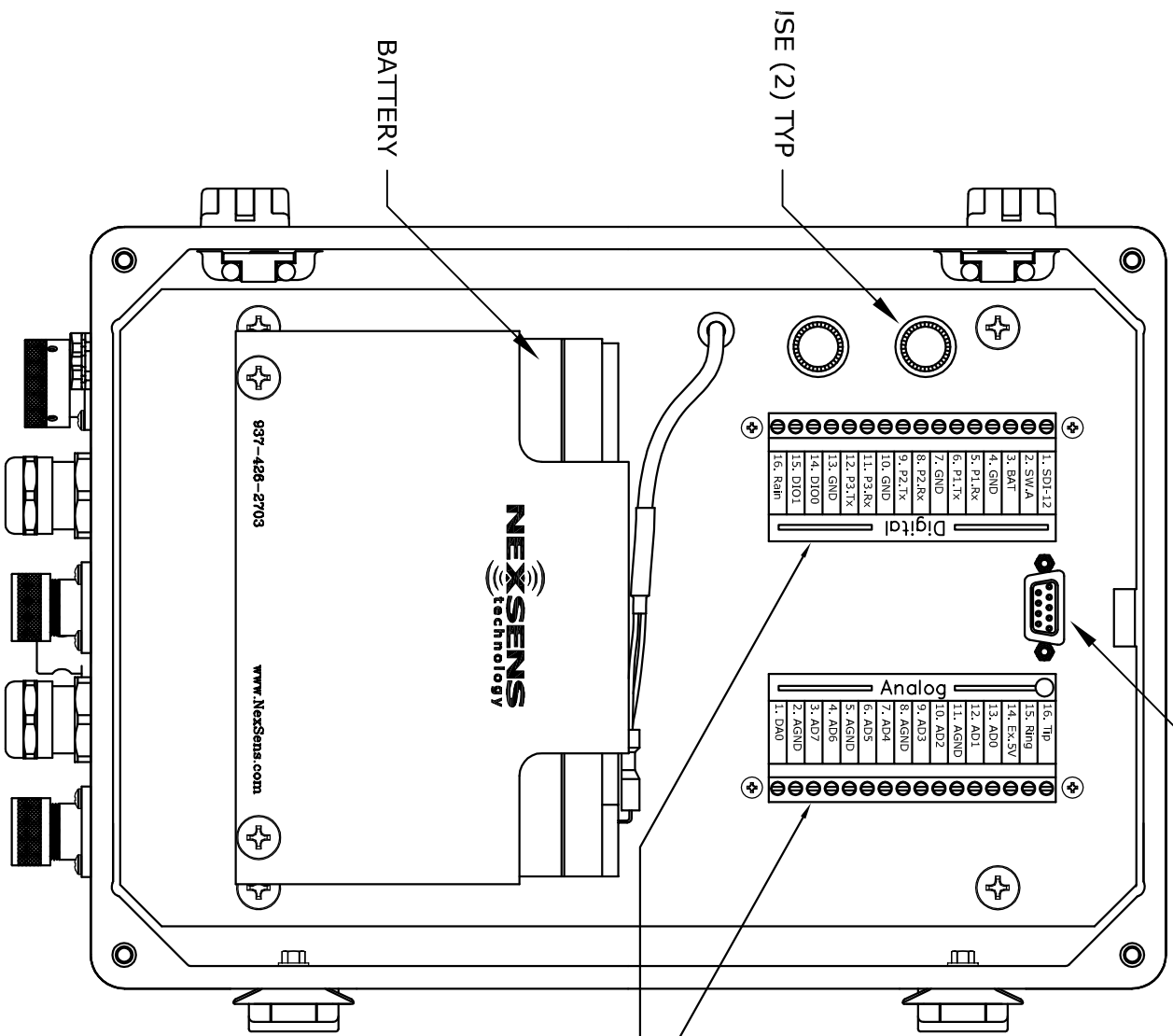
2 of 3

Drawing Dimensions in Inches

This drawing and the information thereon is the property of NexSens Technology. All unauthorized use and reproduction is prohibited. <www.NexSens.com>



DB-9 SERIAL CONNECTOR



Digital Strip

| | |
|--------|---|
| SDI-12 | Connection for SDI-12 Sensors |
| SW_A | 12 V, 200 mA Power Switch |
| BAT | Pass-Through Battery Power Pin (Fused) |
| GND | Digital Ground |
| P1.Rx | RS-232 Receive Pin (Port 1) - Input |
| P1.Tx | RS-232 Transmit Pin (Port 1) - Output |
| P2.Rx | RS-232 Receive Pin (Port 2) - Input |
| P2.Tx | RS-232 Transmit Pin (Port 2) - Output |
| P3.Rx | RS-485A - Connection for RS-485 Sensors |
| P3.Tx | RS-485B - Connection for RS-485 Sensors |
| DIO0 | General Purpose Digital I/O |
| DIO1 | General Purpose Digital I/O |
| Rain | Tiping Bucket Rain Gauge Input |

Analog Strip

| | |
|-----------|-------------------------------|
| Tip | Telephone Wire Connection Pin |
| Ring | Telephone Wire Connection Pin |
| Ex.5V | 5 V Excitation Voltage |
| AD0 - AD7 | Analog Inputs |
| AGND | Analog Ground |
| DAO | Digital to Analog Output |

TITLE:

NEXSENS iSIC DATA LOGGER - INTERNAL COMPONENTS

DRAWING NUMBER:

NEX274

SHEET:

3 of 3

Drawing Dimensions in Inches

This drawing and the information thereon is the property of NexSens Technology. All unauthorized use and reproduction is prohibited. <www.NexSens.com>

