

DRAWING DIMENSIONS IN INCHES

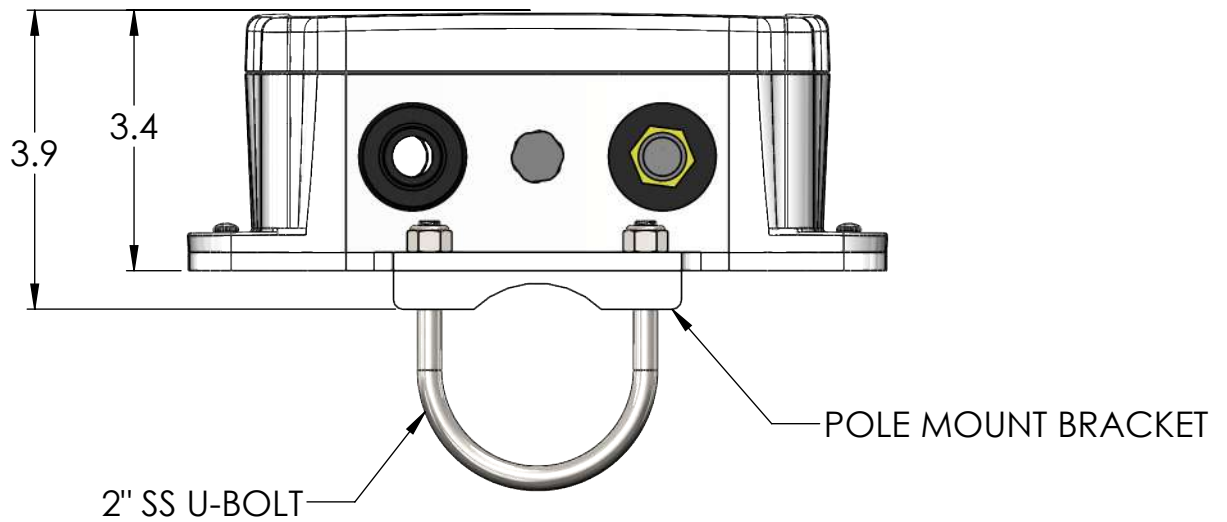
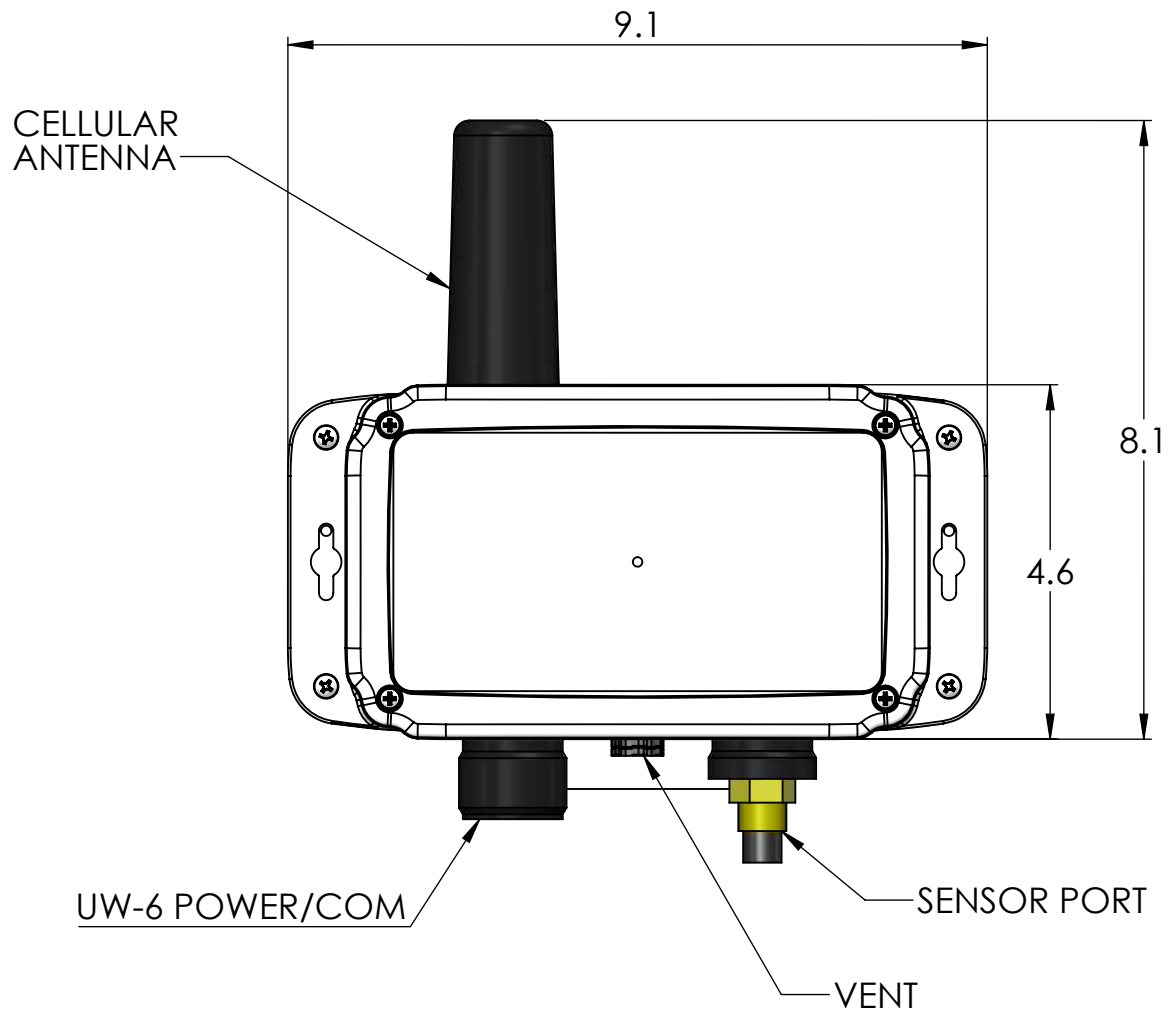
TITLE:  
NEXSENS G2-EXO WATER QUALITY MONITOR

DRAWING NUMBER:  
NEX417

SHEET:  
1 of 4

This drawing and the information thereon is the property of NexSens Technology  
All unauthorized use and reproduction is prohibited. <[www.NexSens.com](http://www.NexSens.com)>





DRAWING DIMENSIONS IN INCHES

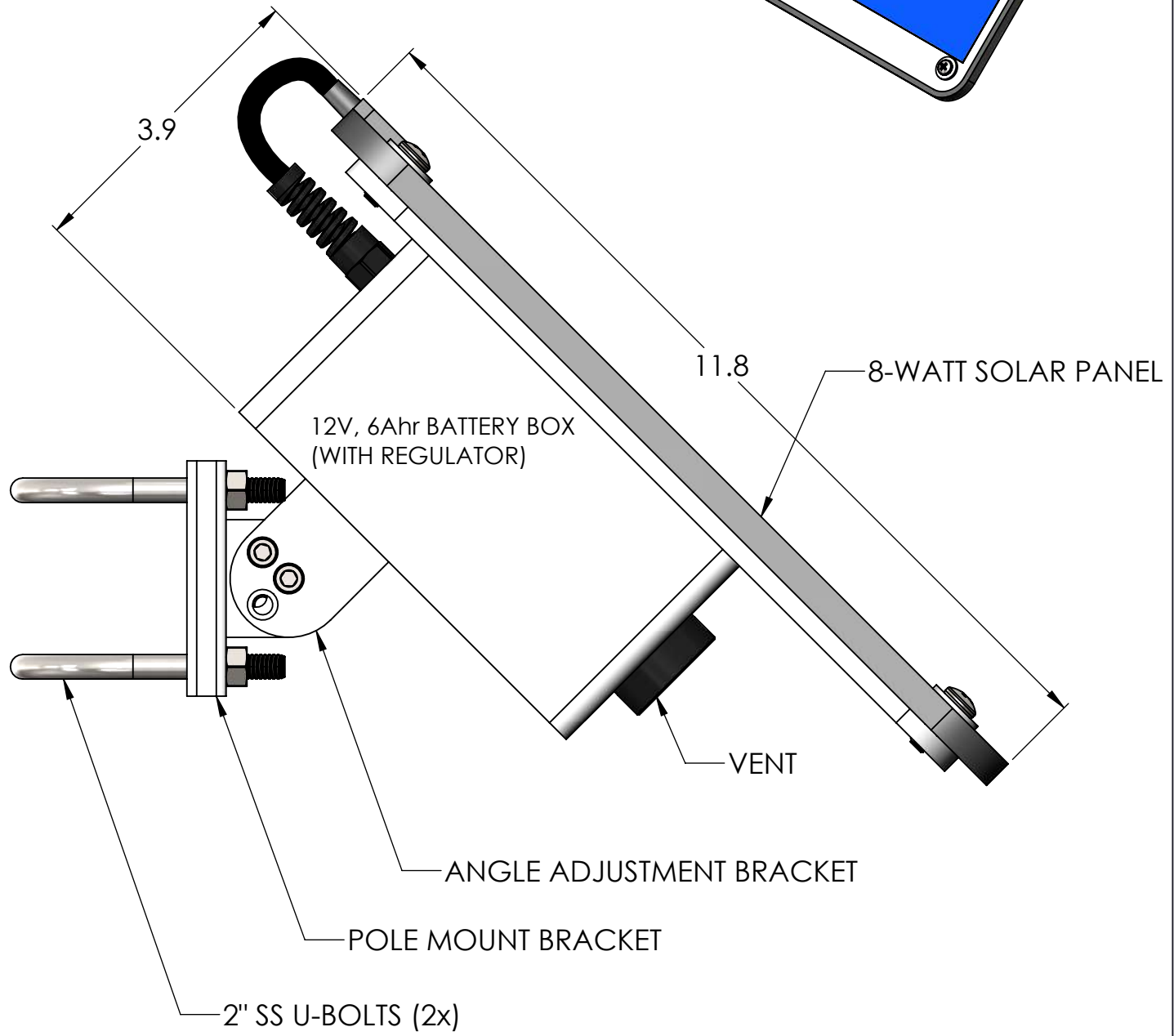
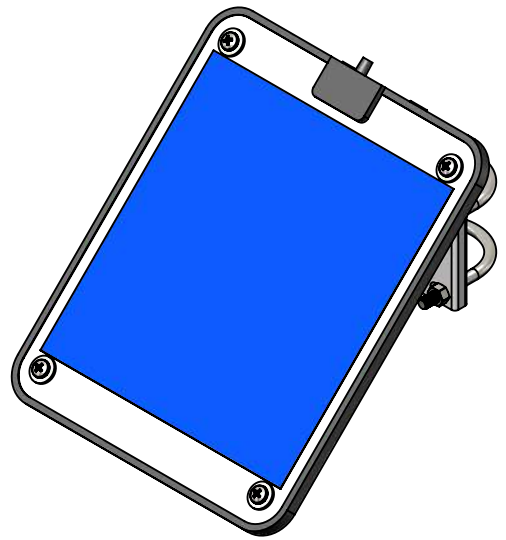
TITLE:  
NEXSENS G2-EXO WATER QUALITY MONITOR RTU

DRAWING NUMBER:  
NEX418

SHEET:  
2 of 4

This drawing and the information thereon is the property of NexSens Technology  
All unauthorized use and reproduction is prohibited. <[www.NexSens.com](http://www.NexSens.com)>

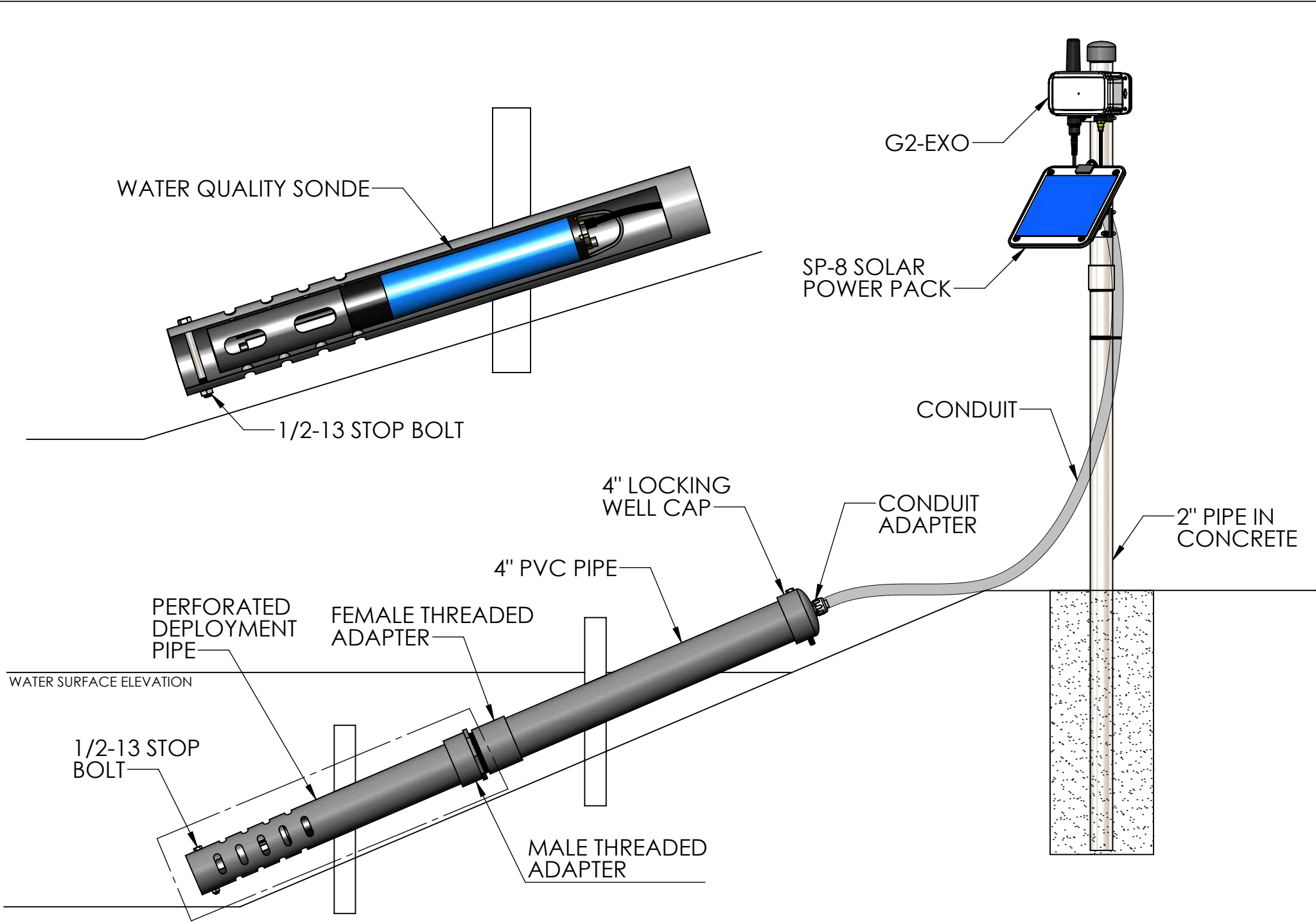




DRAWING DIMENSIONS IN INCHES

TITLE: <b>NEXSENS SP-8 SOLAR POWER PACK</b>	
DRAWING NUMBER: <b>NEX420</b>	SHEET: <b>3 of 4</b>
This drawing and the information thereon is the property of NexSens Technology All unauthorized use and reproduction is prohibited. <www.NexSens.com>	





TITLE: NEXSENS G2-EXO TYPICAL WATER QUALITY SYSTEM		
DRAWING NUMBER: NEX419	SHEET: 4 of 4	Drawing Dimensions in Inches
This drawing and the information thereon is the property of NexSens Technology All unauthorized use and reproduction is prohibited. <www.NexSens.com>		

