

X2-CB-I Quick Start Guide

For best results, setup your new system in the office/lab. Collect a few data points and become familiar with the system prior to field deployment.

- 1 Go to WQDataLIVE.com/Getting-Started
- 2 Create a new account or sign into an existing account. Choose or create a project by selecting the **Projects** link in the bottom right footer of the page.
- 3 Go to the **ADMIN** tab located at the top of the project dashboard and click **Settings**.

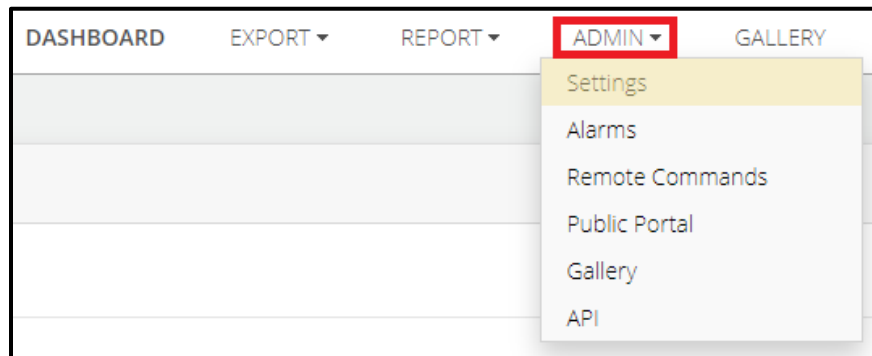


Figure 1: Admin | Settings tab on WQData LIVE.

- 4 From there, choose the **Project/Site** pull down menu and select the site for the new data logger. If a site has not been created, select **New Site**.
- 5 Enter the claim code listed below into the space provided under **Assigned Devices**.

- 6 Click **Add Device**.
 - a. The logger will now be visible in the **Assigned Devices** list.
- 7 Scroll down to the **Advanced Device Remote Configuration** tab, open the drop-down menu, and select the logger within the site name.
 - a. Enter key 'nexsens' to access the Advanced Device Remote Configuration settings.

X2-CB-I Quick Start Guide

- 8 Scroll down to **Transmission Settings** and choose **Iridium Satellite** from the drop-down menu under **New Value**.

Transmission Settings ?		
	Current Value	New Value
Option	WQData LIVE	<div style="border: 1px solid #ccc; padding: 2px;"> <div style="background-color: #f0f0f0; padding: 2px;">WQData LIVE</div> <div style="padding: 2px;">Email</div> <div style="padding: 2px;">FTP</div> <div style="background-color: #007bff; color: white; padding: 2px;">Iridium Satellite</div> </div>

Figure 2: WQData LIVE logger transmission settings.

- 9 Enter the following settings into the available fields and then click **SAVE**:
- o Modem IMEI
 - o Email Server: `imap.gmail.com`
 - (Insert this server name if using Gmail; however, any host domain will work.)
 - o IMAP Port: 993 (Usually 143, or 993 when using SSL)
 - o Pull down and select 'Yes' and input the email address and password for the **Custom Transmit Email**, along with the email address for the **Custom Command Email**.
 - Custom Transmit Email
 - Receives emails sent from the logger to WQData LIVE.
 - Custom Command Email
 - Sends queue commands from WQData LIVE to the logger.
 - o Select 'Yes' for **Use SSL for IMAP**

Transmission Settings ?		
	Current Value	New Value
Option	WQData LIVE	Iridium Satellite
IMEI		
Custom Transmit Email ?		Yes
Email Server		imap.gmail.com
IMAP Port ?		993
Email Address		
Password		
Use SSL for IMAP		Yes
Custom Command Email ?		Yes
Email Address		

Figure 3: Setting up iridium satellite communication.

X2-CB-I Quick Start Guide

- 10 Move the system outside to an area devoid of overhead obstructions.
- 11 Connect the RF cable, which comes mounted to the buoy solar tower, to the antenna port of the logger.
 - a. Press downwards while turning the connector bushing clockwise until it is hand tight- **Do Not Overtighten**
 - b. It is best to twist the RF cable a few turns counterclockwise such that when the connection is made, the RF cable is mostly straight.



Figure 4 & 5: Iridium RF cable antenna connected to X2 antenna port.

- 12 Remove the required blank sensor plugs (P0/P1/P2) and connect all sensors.
 - a. If ports arrive labeled by sensor, establish the connections as indicated.
- 13 Remove the COM/SOLAR blank plug and connect the solar panel cable

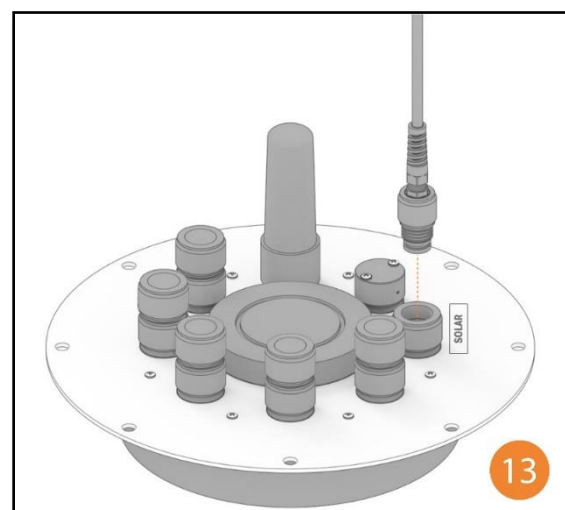
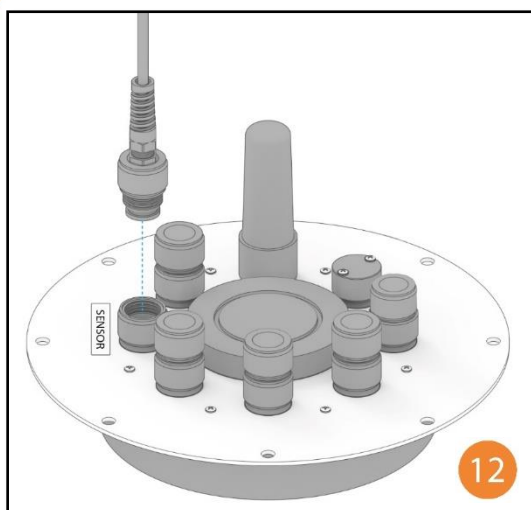


Figure 6 & 7: X2-CB sensor and solar power connection.

X2-CB-I Quick Start Guide

- 14 Wait up to 20 minutes for sensor detection to complete.
- 15 Refresh WQData Live and confirm all sensor parameters are shown.
- 16 Return to the **Advanced Device Remote Configuration** tab.
- 17 Scroll down to the **Transmit Flag** section and expand the list for all sensors.

Parameter	Current Value	New Value
▼ X2 Meta Parameters		
Processor Power	No	▼
RTC Power	No	▼
Primary Power	Yes	Yes ▼
Secondary Power	No	▼
Sensor Power	No	▼
Total System Current	No	▼
Sensor Current	No	▼
Internal Pressure	No	▼
Internal Temperature	No	▼
Internal Humidity	No	Yes ▼
Cell Signal Strength	No	Yes ▼
Cell Status	No	Yes ▼

Figure 8: Setting transmit flags for logger parameters.

- 18 Change the **New Value** next to each parameter to **Yes** for any parameters that should be uploaded via satellite and **No** to disable unwanted parameters.

Note that the number of transmitted parameters, sensor logging intervals, and the system transmission intervals all affect satellite data usage and telemetry costs.

Ensure that the configured iridium data plan can support the desired system settings.

- 19 Click **SAVE** at the bottom of the configuration menu.
 - a. At the next scheduled transmission interval, the parameter settings will be applied. Data will begin to upload on the transmission interval after these changes are applied.