

UW6-BULK ASSEMBLY

WIRING & INSTALLATION



Figure 1: UW6-BULK power bulkhead connector assembly

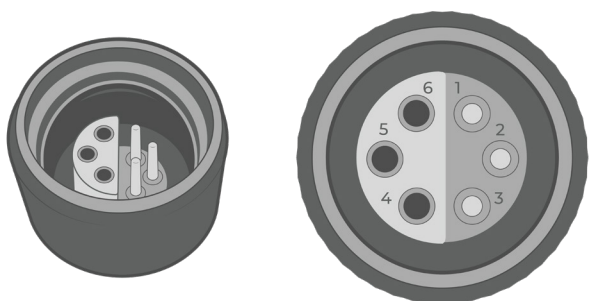


Figure 2: UW6 receptacle pin numbers.

Table 1: UW-6 Bulk wiring information.

UW6 Receptacle Pin	Wire Color
3	Red (Only on molex connector)
4	Black ^a (Both black wires)
5	Yellow ^a
6	Orange/Red ^b

Note: Information below refers to connection with a NexSens solar tower.

^aThe solar power is connected to both black wires (ground) and the single yellow wire (power).

^bThe orange molex wire and the red flying lead wire are shorted together.

UW6-Bulk Installation on NexSens Pass-through Lid

- 1 Remove the bottom nut from the UW6-BULK.
 - a. Route the UW6-BULK wires through an open port on the pass-through lid and align the flat edges.

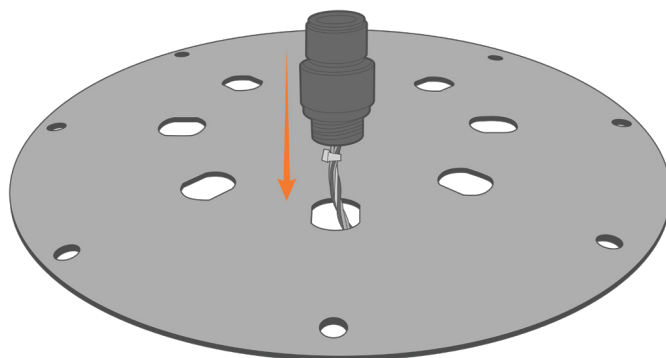


Figure 3: UW6-BULK wire routing.

- 2 Underneath the plate, route the wires through the nut and rotate the plate onto the threads.
 - a. Hand tighten the nut and then use a 3/16" allen wrench to add an additional 1/8 turn.
 - b. Apply an adhesive between the nut and the threads for further security.

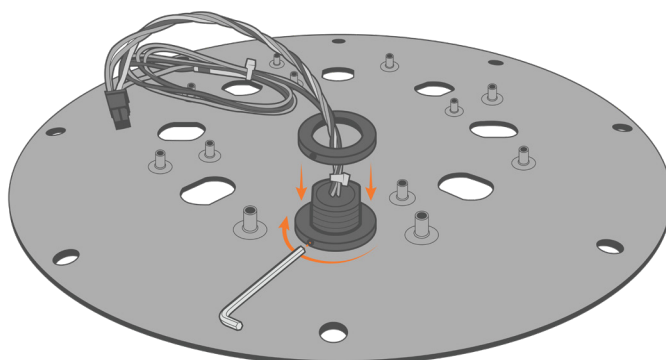


Figure 4: Securing the UW6-BULK.