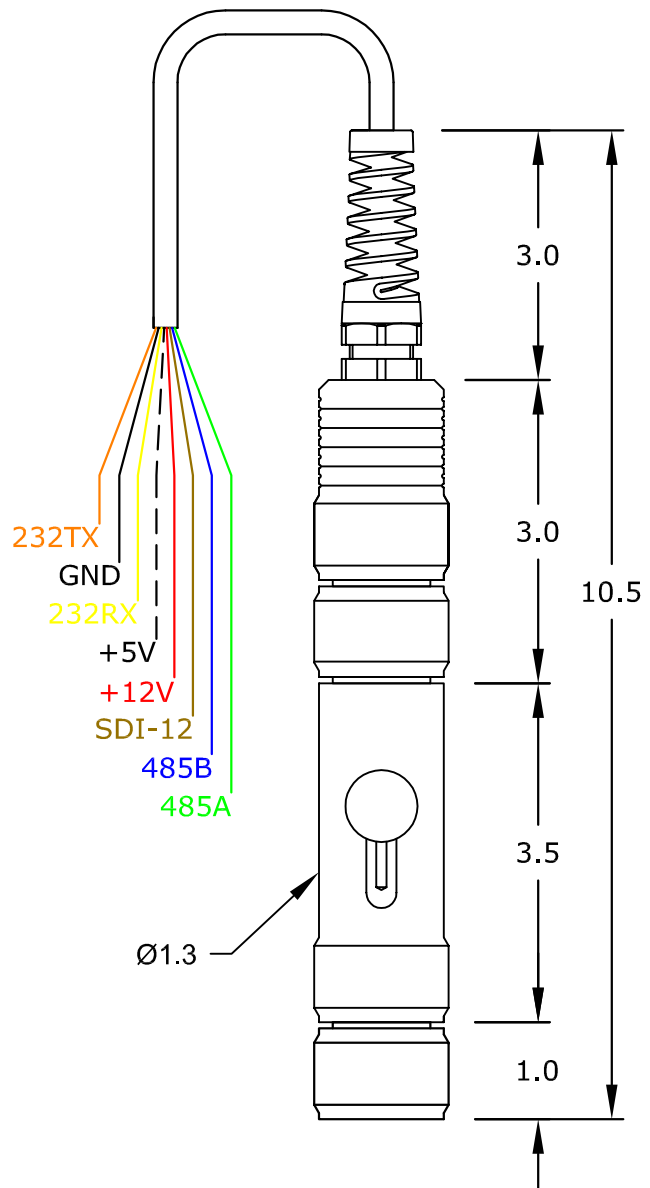


| COLOR | SIGNAL |
|--------|-----------------------|
| ORANGE | 232TX (PASS-THROUGH) |
| BLACK | GND |
| YELLOW | 232RX (PASS-THROUGH) |
| WHITE | +5V (PASS-THROUGH) |
| RED | +12V |
| BROWN | SDI-12 (PASS-THROUGH) |
| BLUE | 485B |
| GREEN | 485A |



DRAWING DIMENSIONS IN INCHES

TITLE:
T-NODE FR - FLYING LEAD PINOUT

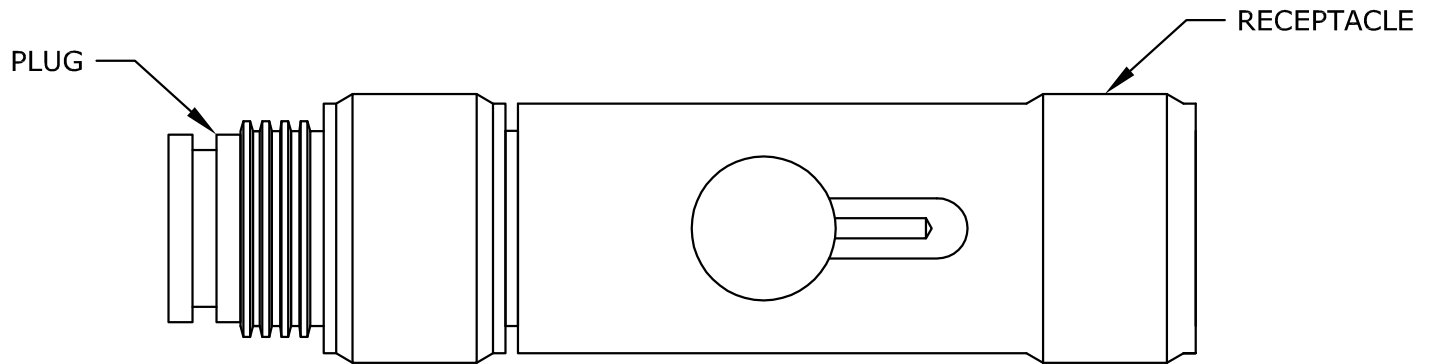
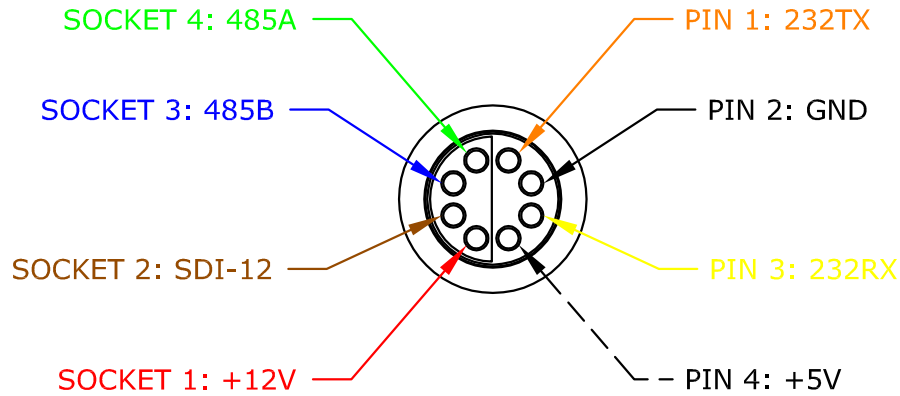
DRAWING NUMBER:
NEX277

SHEET:
1 of 4

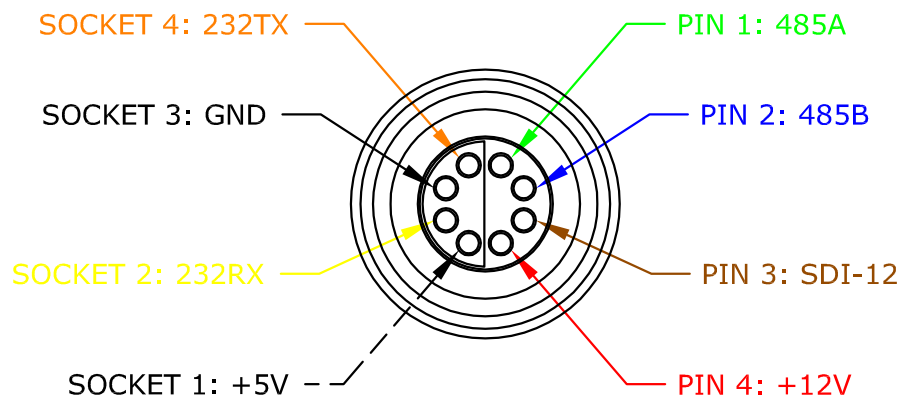
This drawing and the information thereon is the property of NexSens Technology. All unauthorized use and reproduction is prohibited. <www.NexSens.com>



PLUG PINOUT



RECEPTACLE PINOUT



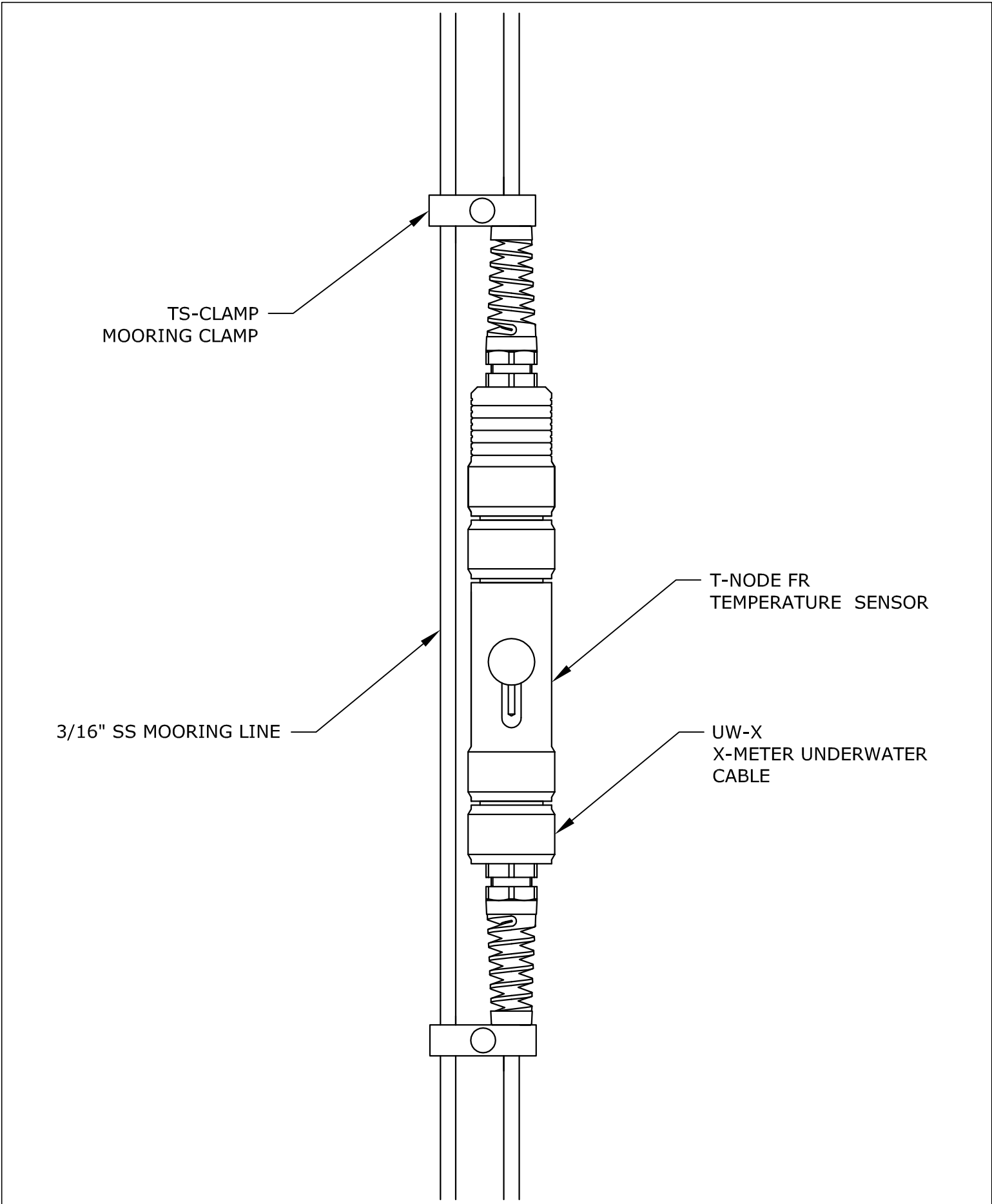
TITLE:
T-NODE FR - SOCKET PINOUT

DRAWING NUMBER:
NEX278

SHEET:
2 of 4

This drawing and the information thereon is the property of NexSens Technology. All unauthorized use and reproduction is prohibited. <www.NexSens.com>





TS-CLAMP
MOORING CLAMP

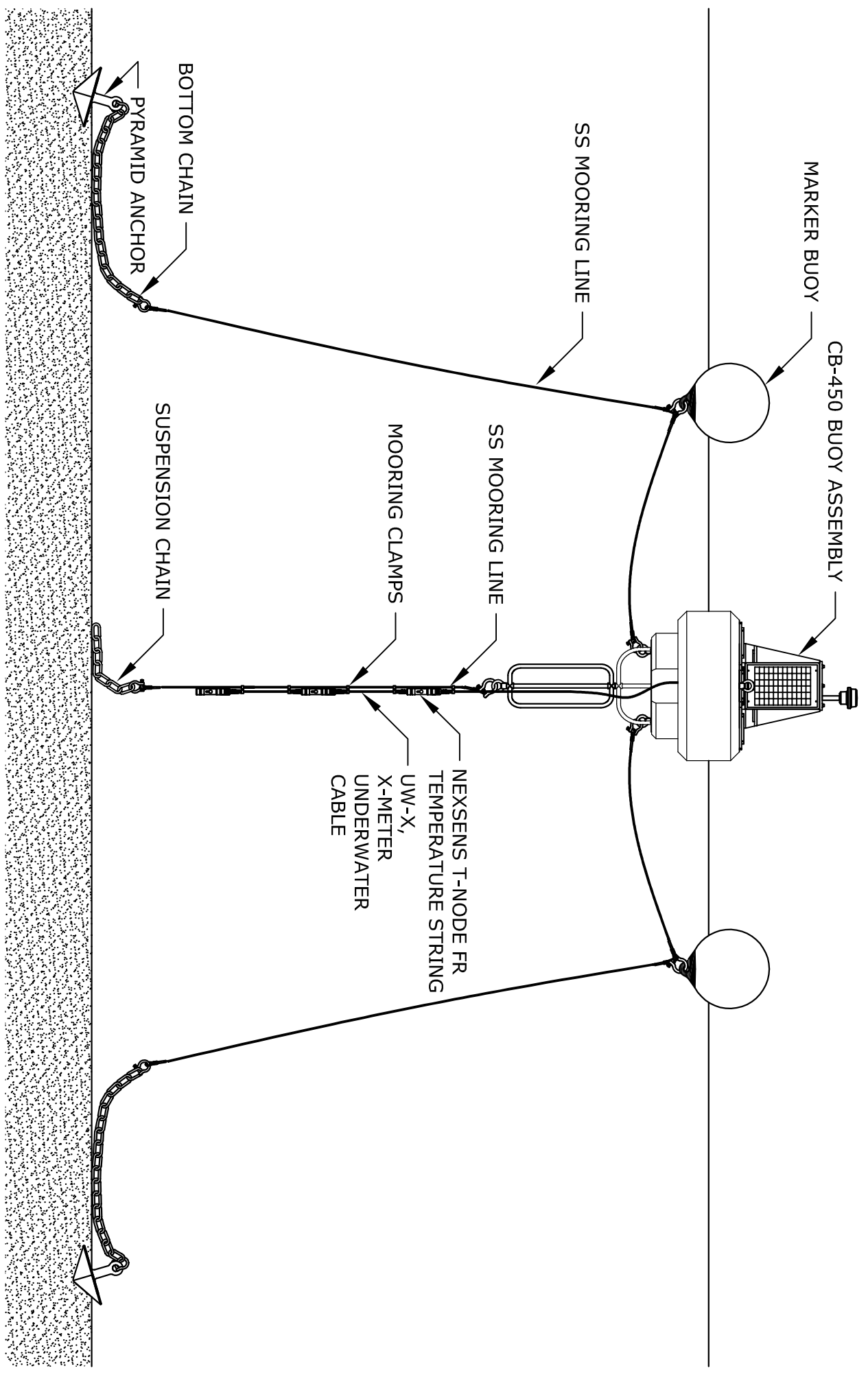
3/16" SS MOORING LINE

T-NODE FR
TEMPERATURE SENSOR

UW-X
X-METER UNDERWATER
CABLE

| | | |
|---------------------------|------------------|---|
| TITLE: T-NODE FR | | This drawing and the information thereon is the property of NexSens Technology. All unauthorized use and reproduction is prohibited. <www.NexSens.com> |
| DRAWING NUMBER: NEX279 | SHEET: 3 of 4 | |





TITLE:
T-NODE FR - DATA BUOY

DRAWING NUMBER:
NEX280

SHEET:
4 of 4

Drawing Dimensions in Inches

This drawing and the information thereon is the property of NexSens Technology
All unauthorized use and reproduction is prohibited. <www.NexSens.com>

