

RF-BULK ASSEMBLY

INSTALLATION GUIDE



Figure 1: RF-BULK modem bulkhead connector assembly.

RF-BULK Installation on NexSens Pass-through Lid

- 1 Remove one of the blank sensor plugs from the pass-through lid using a 3/16" allen wrench to remove the nut underneath the plate.
- 2 Remove the nut on the RF-BULK and route the RF-BULK cable through the open port on the pass-through lid.
 - a. Ensure to align the flat edges of the RF-BULK threads with the open port.

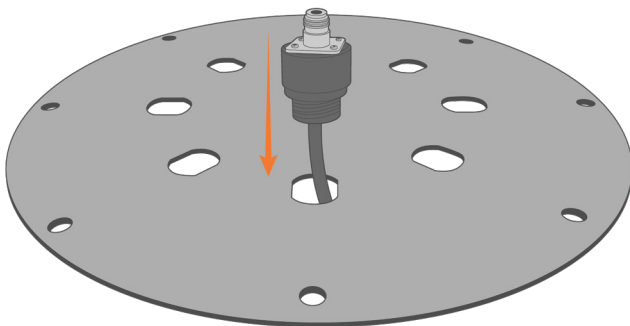


Figure 2: RF-BULK cable routing.

- 3 Underneath the plate, route the cable through the nut and rotate the nut onto the threads.
 - a. Hand tighten the nut and then use a 3/16" allen wrench to add an additional 1/8 turn.
 - b. Apply an adhesive between the nut and the threads for further security.

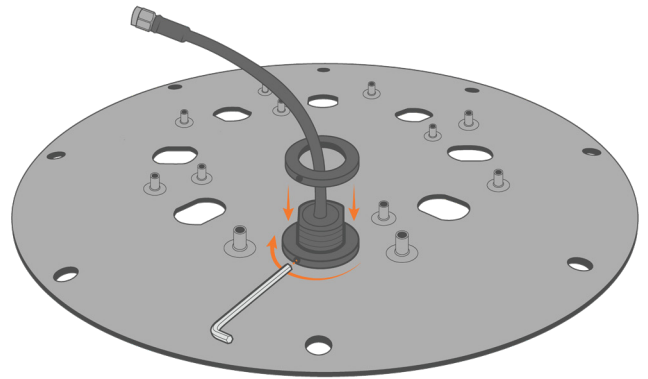


Figure 3: Securing the RF-BULK.