

M550 SOLAR MARINE LIGHT

INSTALLATION AND BEACON CONFIGURATION



Figure 1: NexSens M550 1-3 Nautical Mile Solar Marine Light.

Overview



The NexSens M550 solar marine lights are designed for mounting to the CB-Series data buoys per USCG requirements. The beacons are programmed using an IR remote and a set of commands to check power and set the flash code.

What's Included

Beacon equipment

- (1) Pole mounted beacon
- (1) IR remote programmer
- (1) 3/8-16 x 1-3/8" Hex head cap screw
- (1) 3/8" Split lock washer
- (1) 3/8" Flat washer

IR Remote Programming

- 1 Point the IR remote at the side of the M550 and hold down the power button for approximately three seconds.
 - a. The beacon will illuminate dimly and grow brighter over a 2-3 second span.
- 2 Check the battery status of the beacon by entering the passcode sequence 
 - a. The beacon will flash as each button press is registered.
 - b. Once the code is entered, the beacon will flash quickly 3 times to acknowledge the command or flash slowly 2 times to reject the command. Re-enter the code if 2 slow flashes are returned.
 - c. Observe the following flash patterns:
 - 1 flash indicates a battery replacement is required.
 - 2 flashes means the batteries need charged. (Place in direct sunlight to charge).
 - 3 flashes signify an adequate battery charge.
- 3 Set the flash code for the beacon.
 - a. Example: A one second flash duration every 4 seconds would require the following code 
 - b. More flash code patterns can be found within the M550 user manual at the link below or the manual included with your order.
 - fondriest.com/m550man

Note: Whenever a beacon will be stored indoors for more than a day, it should be turned off to preserve battery.

- a. Turn off the beacon by pointing the IR remote at the side of the beacon and holding down the power button for 4 seconds.
- b. The beacon will illuminate brightly and gradually grow dimmer over a 2-3 second span.

Installation on NexSens Solar Tower

- 1 Remove the plate from the top of the solar tower using a 9/16" socket wrench.

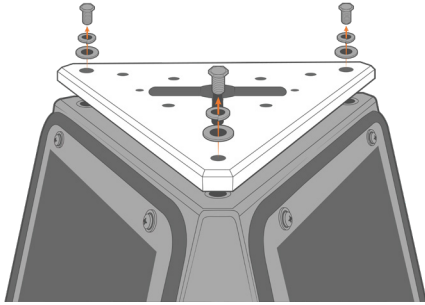


Figure 2: Remove the solar tower plate.

- 2 Use a 9/16" socket or wrench to remove the bolt from the base of the beacon mount.
 - a. Insert the bolt through a vacant mounting hole on the top plate.
 - b. Thread the adapter onto the bolt on the opposite side of the plate and tighten.

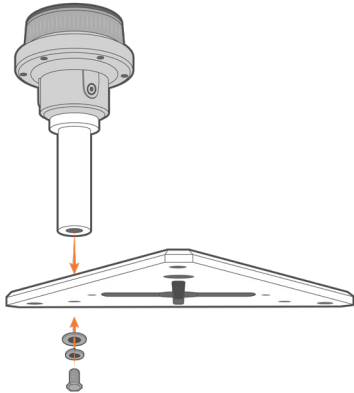


Figure 3: Install the beacon on the white plate.

- 3 Re-install the top plate using a 9/16" socket wrench to tighten down the bolts removed in the first step.