

EWC ENVIRONMENTAL WEB CAMERA

QUICK START GUIDE

IMPORTANT - BEFORE FIELD DEPLOYMENT: Completely configure a new camera with embedded Wi-Fi or cellular telemetry in a nearby work area. Operate the system for several hours and ensure proper video and image captures. Use this test run to become familiar with the features and functions.



Figure 1: NexSens EWC Environmental Web Camera

Overview

The NexSens EWC environmental web camera offers live-view, time-lapse, and time-video-clip modes with real-time cellular communication. EWC cameras are watertight and able to operate in extreme environments. The internal settings allow users to balance resolution and bandwidth to maximize image quality and cellular responsiveness and are adjustable via the embedded Wi-Fi or cellular telemetry with a web link. The EWC can be powered by any 12VDC source, including a direct connection with a NexSens CB-series buoy battery or SP-series power pack. The camera accepts sensor measurements from NexSens X2 data loggers and can transmit this information along with imagery to the WQData LIVE cloud datacenter.

What's Included?

- (1) EWC Environmental Web Camera
- (1) EWC Mount
- (1) Quick Start Guide

SIM Card Installation

- 1 Use a 7/64" hex driver to remove the (4) screws holding the lens cover.
 - a. Carefully lift the lens cover, avoiding contact with the camera lens (Figure 2).

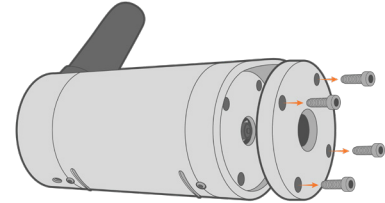


Figure 2: Remove the camera lens cover.

- 2 Invert the camera to release the camera lens onto a soft, non-abrasive surface.
 - a. Note: A ribbon cable is connected to the interior of the camera lens. Ensure the surface is close enough to avoid putting tension on the ribbon cable connection.

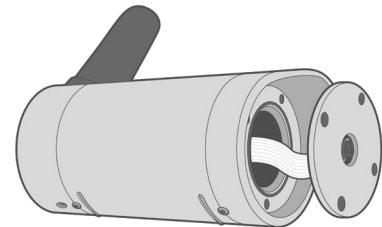


Figure 3: Remove the camera lens.

- 3 Gently pull down on the black connector piece holding the ribbon cable connection.
 - a. Slowly remove the ribbon cable and place the camera lens on a non-abrasive surface.

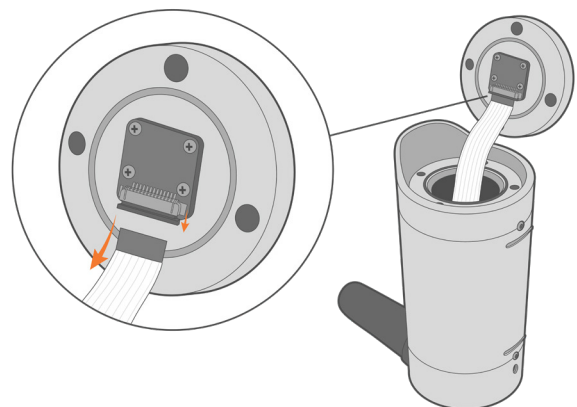


Figure 4: Release the interior ribbon cable.

- 4 Remove the green wires from the top and bottom of the camera body.
 - a. Gently pull apart the top and middle section of the body from the base.
 - b. Ensure to remove slowly to avoid contact with the internal circuitry.

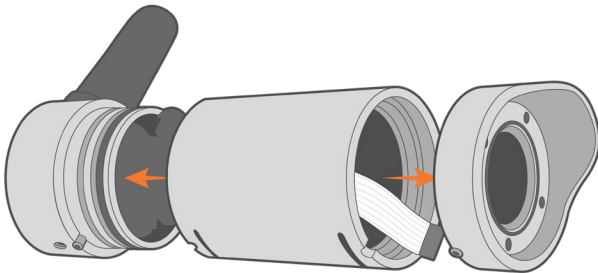


Figure 5: Disassemble the camera body.

- 5 Insert the SIM card as shown in the image below. Ensure the metal contact is facing upward and the beveled edge is inserted first.

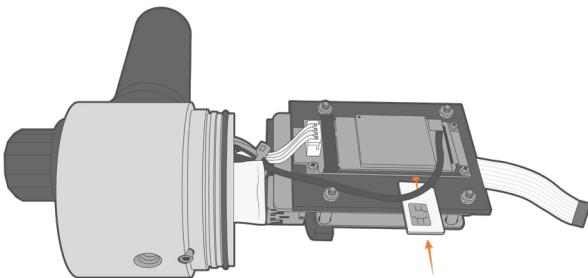


Figure 6: Install the SIM card.

- 6 Reassemble the camera by reversing the order of steps in this guide.

Camera Mounting

- 1 Use the included Philips head screw to connect the camera mount to the base of the camera.

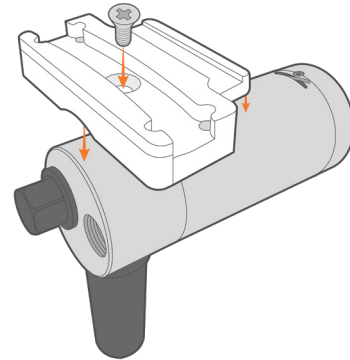


Figure 7: Attach the mount to the camera base.

- 2 Use the included U-bolts, flat washers, lock washers, and hex nuts to attach the camera and mount to the solar tower.
 - a. Ensure to align the rounded interior of the mount with the solar tower.
 - b. Tighten each side of the mount and U-bolts evenly using a 7/16" socket wrench.

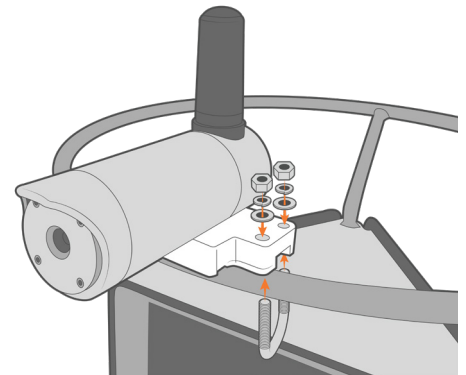


Figure 8: Mount the camera to the solar tower.

Establish Camera Communication

Follow the link below to access the NexSens EWC Environmental Web Camera User Guide. There users will learn how to establish connection to the camera to adjust the internal video and imagery settings, set up cellular communication, and push data to the WQData LIVE Cloud Datacenter.

- nexsens.com/ewckb