

CM-LI-193 PAR SENSOR MOUNT

INSTALLATION GUIDE



Figure 1: CM-Li-193 PAR Sensor Mount.

Overview

The CM-Li-193 PAR sensor mount allows the Li-COR Li-193 Underwater Spherical PAR sensor to be securely attached to the instrument cage of a CB-Series data buoy system.

What's Included

- (1) Cage mount bracket
- (1) Li-COR 193 Sensor mount
- (10) 3/8" Flat washers
- (6) 3/8-16 x 2" Hex head cap screws
- (6) 3/8" Split lock washers
- (4) 3/8-16 Nylon-insert locknuts
- (3) 6-32 x 1" Socket head screws
- (3) #6 Split lock washers

Installation on Buoy Instrument Cage

- 1 Insert (4) 3/8-16 x 2" Hex head cap screws, lock and flat washers, and nylon nuts to secure the cage mount to the instrument cage.
 - a. Tighten using a 9/16" socket or hex driver.

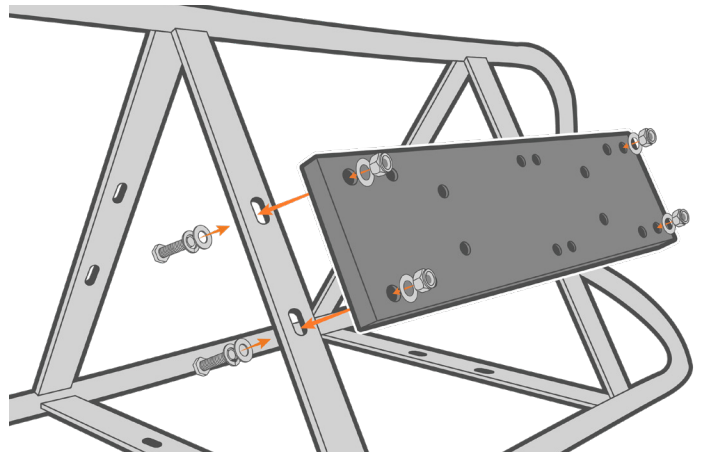


Figure 2: Secure the mount to the cage.

- 2 Use the (2) remaining 3/8-16 x 2" Hex head cap screws, a lock and flat washer to secure the sensor mount to the cage mount.
 - a. Tighten using a 9/16" socket or hex driver.

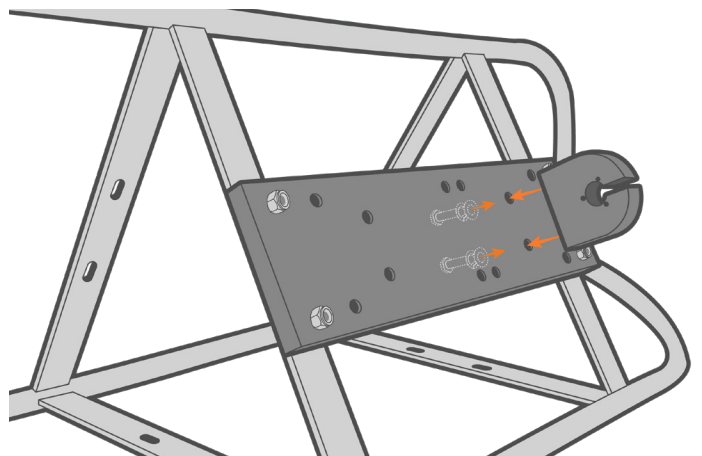


Figure 3: Secure the sensor mount.

- ③ Attach the sensor to the mount using the (3) 6-32 x 1" Socket head screws.
 - a. Note the orientation of the yellow marker on the sensor for the cable connection.
 - b. Tighten using a 7/64" Allen wrench.

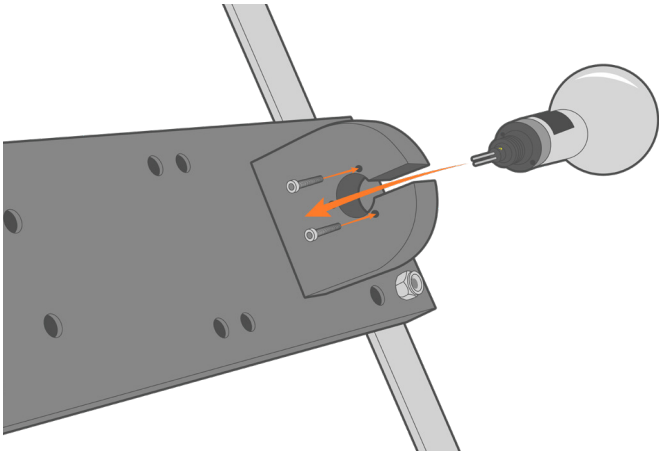


Figure 4: Install the Li-193 sensor.

- ④ Connect the Li-193 cable to the sensor. Orient the raised nub on the cable with the yellow marker on the sensor.
 - a. Push the cable towards the sensor until the cable "pops" over the ridge of the sensor connector. DO NOT twist the cable.
 - b. Slide the white collar onto the sensor connector and turn it clockwise until hand tight.

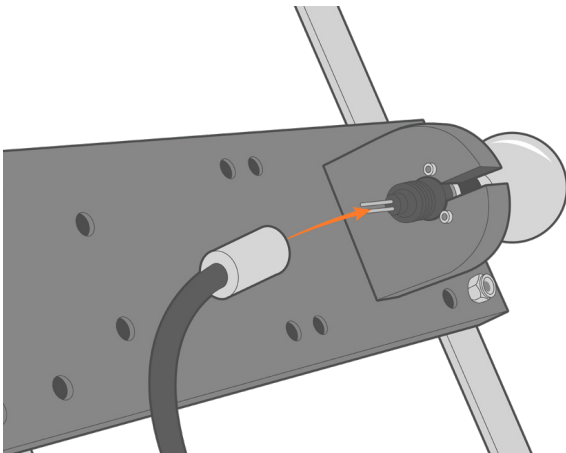


Figure 5: Connect the sensor cable to the Li-193.