

CB-150/450 INSTRUMENT OFFSET MOUNT

INSTALLATION



Figure 1: NexSens CB-150/450 Instrument Offset Mount.

Overview

The NexSens instrument offset mount extends the top mounting plate for attachment of sensors, beacons, and other topside hardware to the solar panel array of a NexSens CB-150, CB-250, or CB-450 series data buoy.

What's Included

- (1) CB-OFF-M Instrument mount
- (1) 3/8-16 x 1-5/8" stainless steel bolt
- (1) 3/8-16 lockwasher
- (1) 3/8-16 flatwasher

Installation on NexSens Solar Tower

- 1 Remove a bolt from the top of the NexSens solar tower using a 9/16" socket wrench.

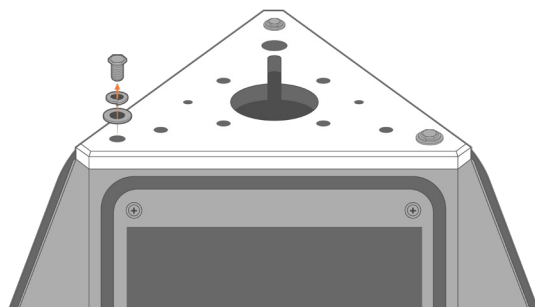


Figure 2: Remove a bolt from the solar tower plate.

- 2 Place the instrument mount so that it rests on the solar assembly and align the holes.
 - a. Fasten the mount using the included 3/8-16 x 1-5/8" stainless steel bolt, washer, and lockwasher.

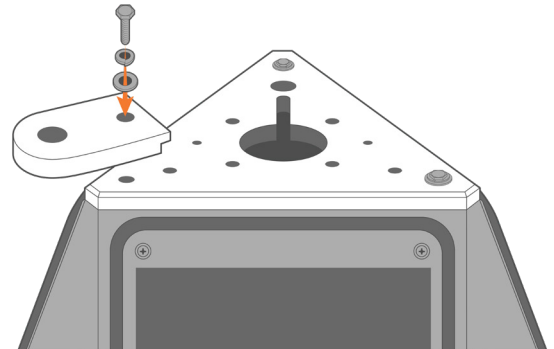


Figure 3: Fasten the instrument offset mount.

- 3 Utilize the opening on the offset mount for mounting additional top-side sensors.

Note: The addition of any instrument weight to the top of a NexSens data buoy must be offset by proper ballast for unit stability. Reference your buoy's Quick Start Guide for more information concerning deployment and mooring.

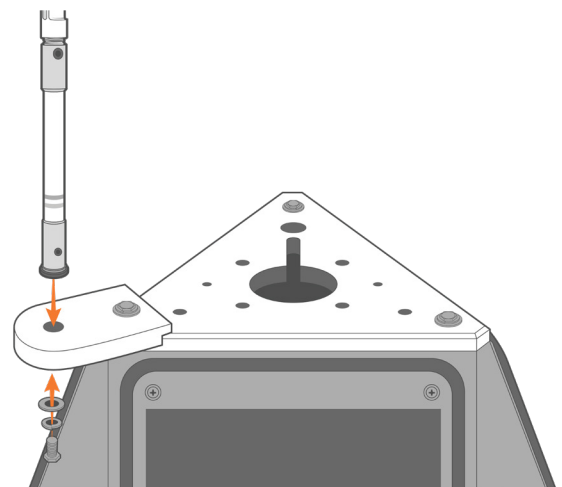


Figure 4: Install a top-side instrument mount.