

# AQUADOPP ADCP BUOY MOUNT

## INSTALLATION INSTRUCTIONS



Figure 1: NexSens Aquadopp ADCP Buoy Mount

### Aquadopp Installation

- 1 Use (2) 9/16" socket wrenches to remove the bolts from the clamps above and below the PVC-covered portion of the threaded rod.

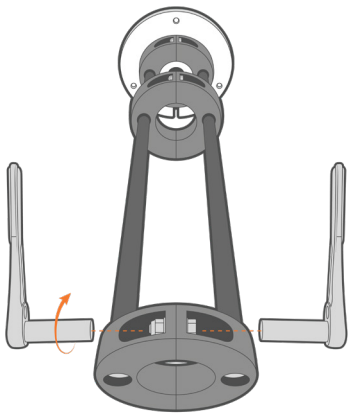


Figure 2: Removal of top and bottom clamp bolts.

- 2 Gently pull apart both clamps and insert the aquadopp sensor into the bottom.
  - a. Note: This portion may require two individuals for ease of installation.
  - b. Ensure to insert the receptacle end of the sensor in first.

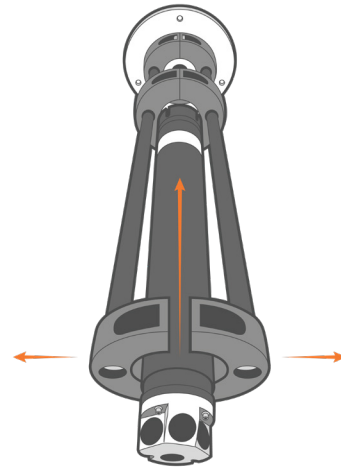


Figure 3: Aquadopp sensor insertion into mount.

- 3 Once the receptacle end of the sensor is above the top clamp:
  - a. Remove the force separating the clamps.
  - b. Gently pull down on the sensor to ensure the sensor grooves are resting on the indentation on the inside of each clamp.

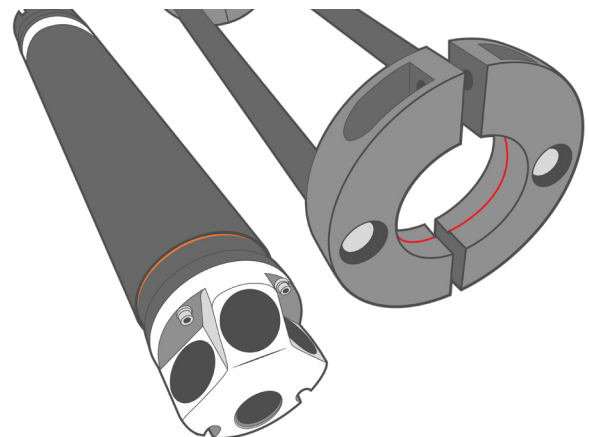
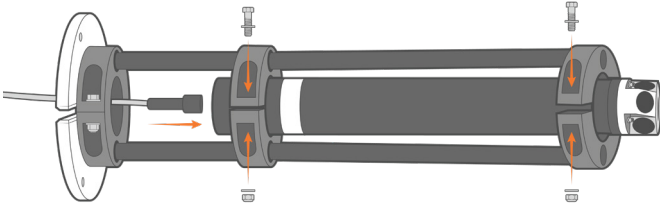


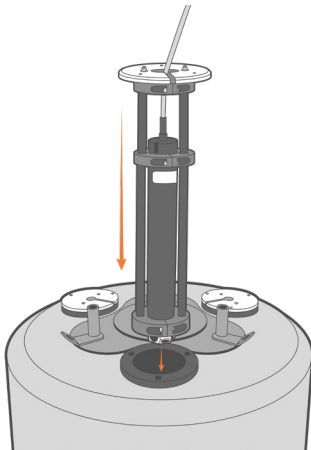
Figure 4: Aquadopp sensor groove (highlighted in orange) and clamp indentation (highlighted in red).

- 4 Re-install the bolts.
  - a. Ensure to tighten both sides of each clamp evenly for a secure connection.
  - b. Route the sensor cable through the top of the sensor pass-through plate.



**Figure 5:** Clamp reconnection and sensor cable connection.

- 5 Ensure that, when fully installed in the buoy, the Aquadopp orientation points the (3) acoustic transducers away from the buoy to avoid signal interference.
  - a. Insert the mount into one of the sensor pass-through ports.
  - b. Use a 5/16" allen wrench to tighten down the (3) bolts on the deployment pipe cover.



**Figure 6:** Aquadopp mount inserted into one of the buoy's sensor pass-through ports.