

EXO CAGE

INSTRUCTIONS

- 1 Mount the top clamp (contains indexing key) to one of the brackets closest to the cage eye nut.
 - a. For EXO 2 and 3 sonde models, the clamp must be at the top bracket. The EXO 1 can be located on either bracket.
 - b. Use the two bolts, lockwashers and flat washers to mount the base of the clamp. Then use the clevis pin to attach the top.

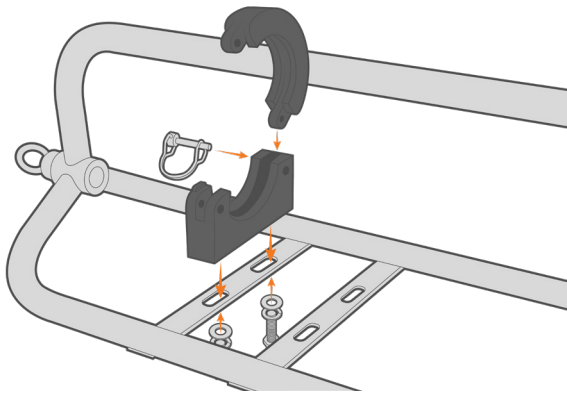


Figure 1: Mount the EXO sonde clamps onto the cage.

- 2 Install the included O-rings onto the sonde body.
 - a. Approximate spacing for each model is shown below.
 - b. Placement of the O-rings must align with the clamps on the cage.

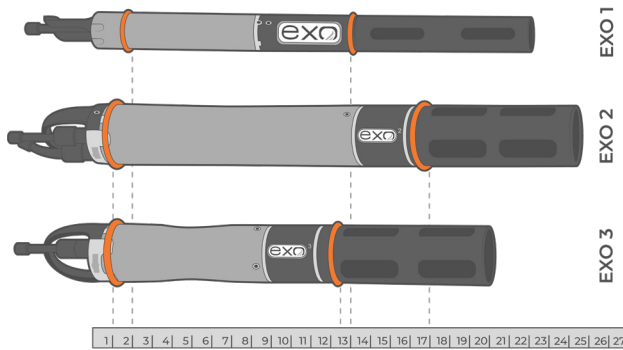


Figure 2: Approximate O-ring placement on EXO sonde models for EXO cage clamps.

- 3 Remove the clevis pins from each clamp.
 - a. Place the EXO sonde into the clamps and align the O-rings with the clamp grooves.
 - b. For EXO 2 and EXO 3 sonde models, mate the recess of the sonde communication bulkhead with the indexing key located on the upper clamp of the EXO cage.

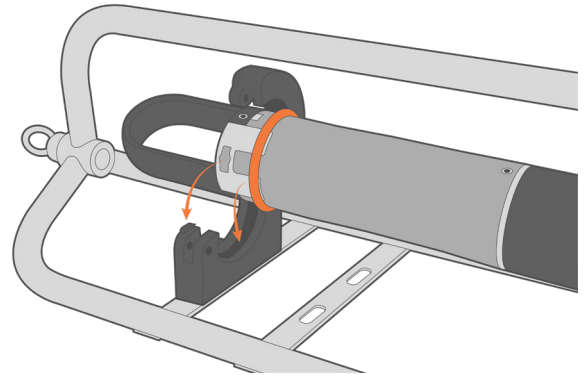


Figure 3: Align the top O-ring and EXO recess with the indexing key on the top clamp.

- 4 Push down on the top of each clamp and re-install the clevis pins.
 - a. Pull on the sonde to ensure no movement occurs while locked into the clamps.

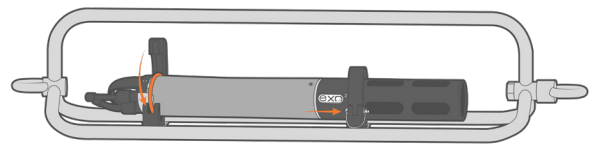


Figure 4: Close the clamps to secure the sonde within the cage.

- 5 It is recommended to attach a backup tether from the loop on top of the sonde to the cage for added security during deployment.
 - a. A zip tie can be used for this purpose.
 - b. Additionally, it is recommended to utilize the cable grip included with YSI EXO field cables.