

SIGNATURE 1000 INSTRUMENT CAGE

INSTRUCTIONS

1 Follow the instructions included with the CB-CCA to affix the Signature 1000 cage to the CB-Series buoy.

2 Slide the Signature 1000 into the base of the cage mount.

- a. The bottom of the sensor bulkhead should be flush with the cage plate.

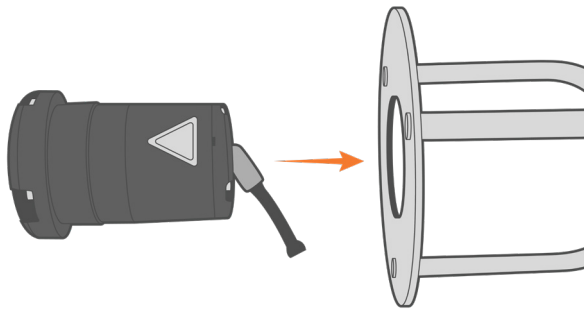


Figure 1: Insert the Signature 1000 into the cage.

3 Rotate the sensor such that the screw inserts on the sensor bulkhead align with the notches on the instrument cage.

- a. Feed the (4) included socket head screws through the channels of the sensor bulkhead.
- b. Thread on a nylon nut to each.

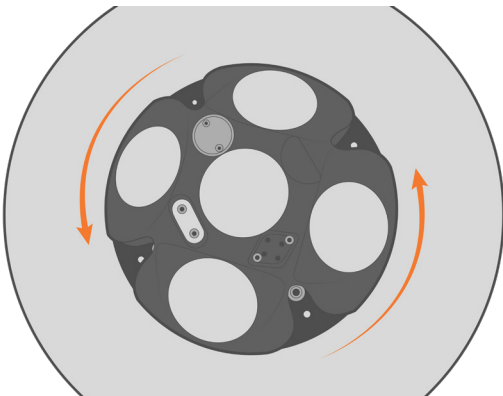


Figure 2: Align the sensor with the bolt notches.

4 Evenly tighten down each socket head screw and nylon locknut in a cross-pattern using a 3/16" allen key and 7/16" wrench.

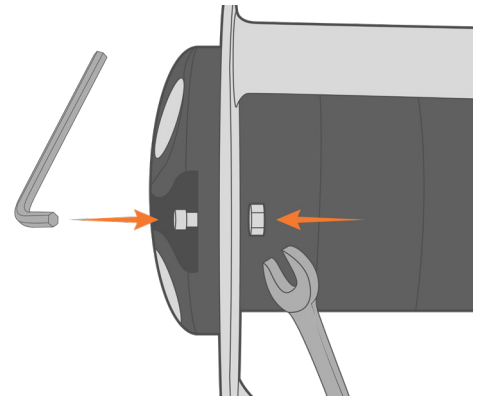


Figure 3: Tighten down the sensor to the cage.

5 Connect the external power and communications cable to the sensor.

- a. Feed the cables through the buoy pass-through ports.
- b. Avoid putting tension on the cable connector.
- c. Route the cable in a way that it is free from the mooring hardware.

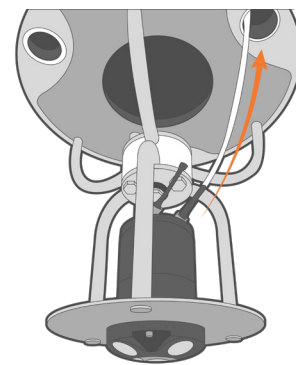


Figure 4: Route the communications and power cable through the buoy pass-through ports.