

AQUADOPP MOORING CAGE

INSTRUCTIONS

- ① One at a time, place the mounting clamp brackets on the outside of the cage brace.
 - a. Orient the deeper groove of the brackets towards the cage bolt.
 - b. For each clamp, feed the (2) hex cap bolts, each with a fender washer, from the inside of the cage through the brace and clamp bracket slots.

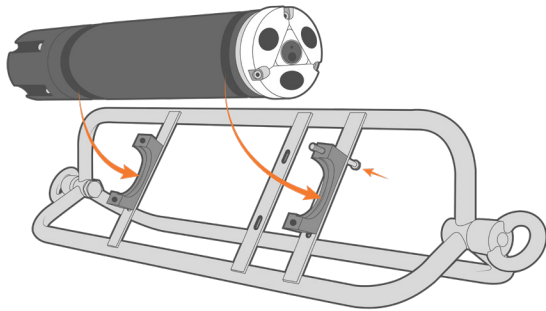


Figure 1: Attach the clamps to the cage and align the grooves on the aquadopp and cage clamps.

- ② Align the indexing key on each side of the sensor with the grooves on the inside of each bracket.
 - a. Verify it fits firmly into the keyed recess before sliding the upper clamp piece over top.

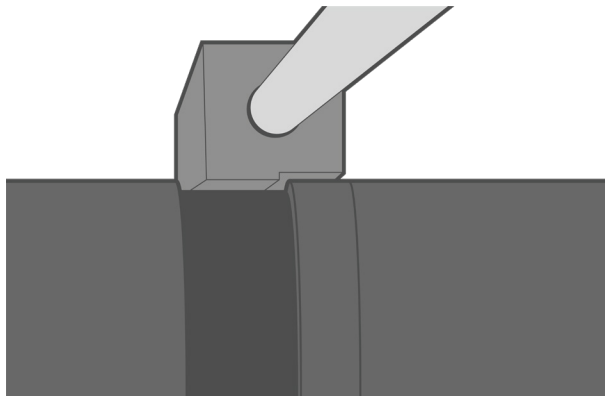


Figure 2: Align the grooves on the aquadopp sensor and clamp.

- ③ Place a fender washer and nylon nut on each bolt.
 - a. Tighten loosely using a 9/16" socket wrench or hex driver.

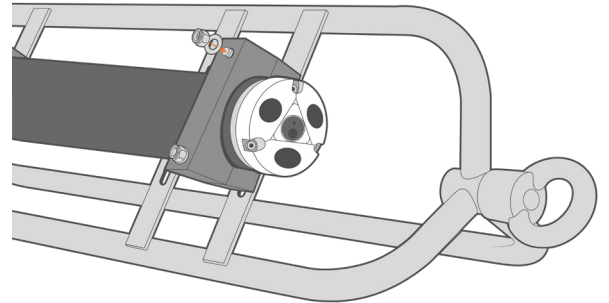


Figure 3: Tighten down the top clamp loosely on each bracket for future alignment.

- ④ Check the position of the sensor head relative to the cage.
 - a. Rotate the Aquadopp within the mount as necessary to keep the beam paths from intersecting the cage.
 - b. Fully tighten down all four clamps using a 9/16" socket wrench or hex driver.
- ⑤ It is recommended to run a backup tether from the sensor to the cage in the event of an incidental clamp release.