

# AIRMAR WEATHER STATION MOUNT

## INSTALLATION INSTRUCTIONS



Figure 1: CB-WX-M Airmar Weather Station Buoy Mount.

### CB-WX-M Installation on Buoy Solar Tower

- 1 Thread the extension mast onto the pre-mounted base on the solar tower.

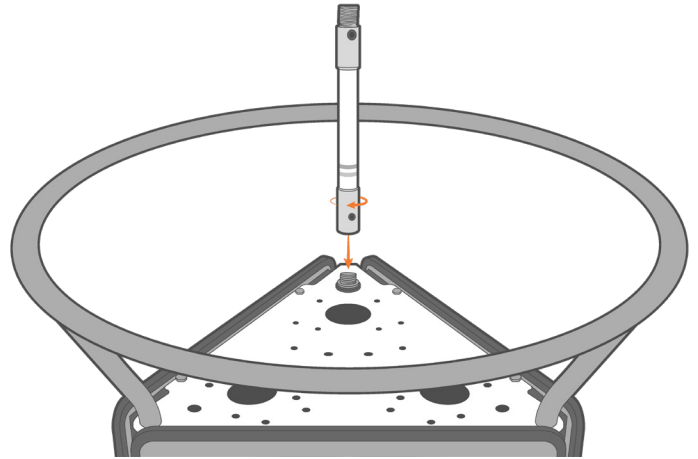


Figure 2: Attach the extension mast onto the solar tower.

### What's Included

#### CB-WX-M Parts

- (1) Bottom mounting adapter for solar tower
- (1) 1-ft. Antenna extension mast
- (1) 1/2" Oversized flat washer
- (1) 214 Silicone O-ring
- (1) 1/2" Split lock washer
- (1) 1/2-13 x 1-1/2" Hex cap bolt

#### Airmar Weather Station Accessories

- (1) Cable guide coupler
- (1) Airmar cable with threaded adapter
- (1) Airmar weather station

- 2 Thread the cable guide coupler from the Airmar accessories onto the mast.

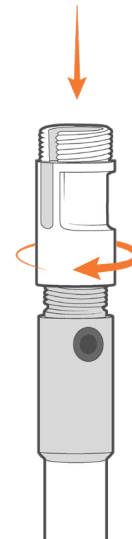
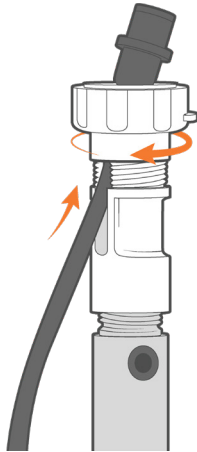


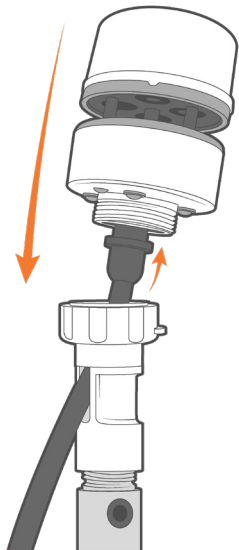
Figure 3: Attach the cable guide coupler.

- 3 Route the Airmar cable through the cable guide coupler and thread on the adapter.



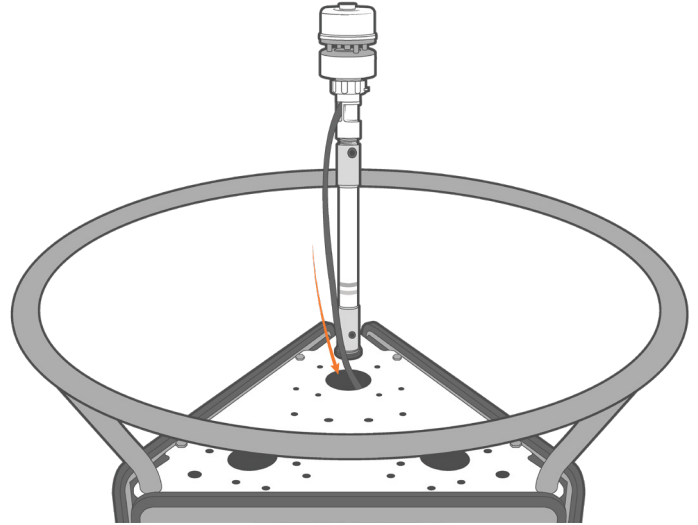
**Figure 4:** Attach the Airmar cable assembly.

- 4 Connect the sensor cable to the Airmar weather station and tighten the top of the adapter onto the base of the Airmar.
- a. Ensure the Airmar does not rotate while threading on the adapter.



**Figure 5:** Plug in the Airmar cable.

- 5 Route the plug through the nearest hole on the solar tower.
- a. It is recommended to zip tie the cable to the mount and provide cable armor around the portion of the cable in contact with the open hole.



**Figure 6:** Route the Airmar cable to the X2-CB logger.