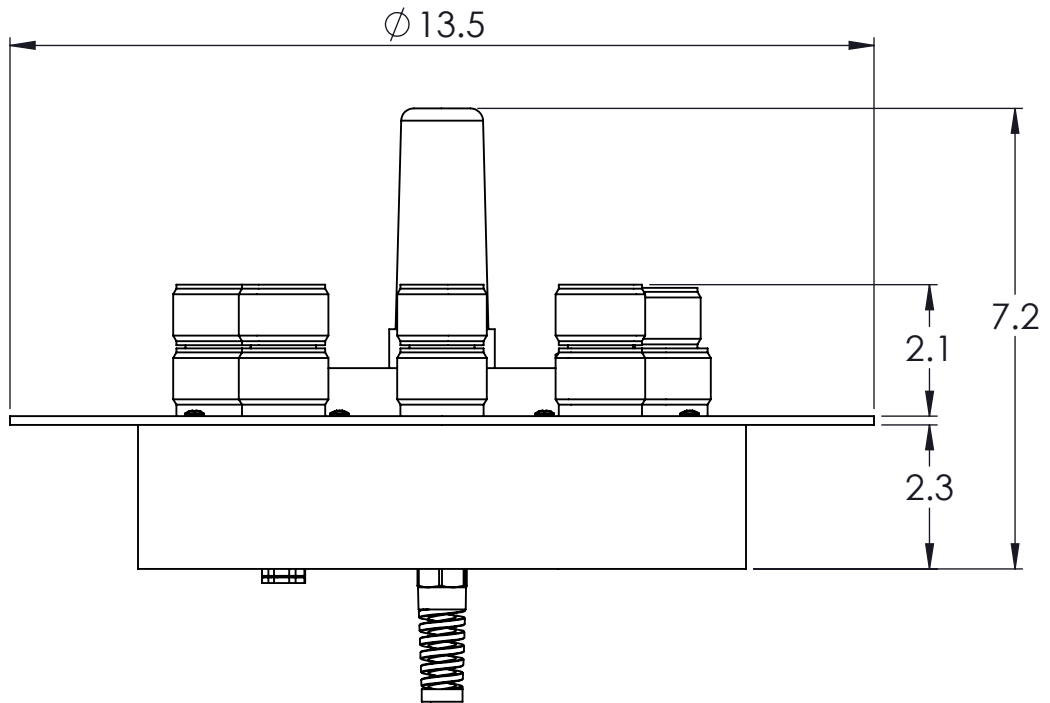
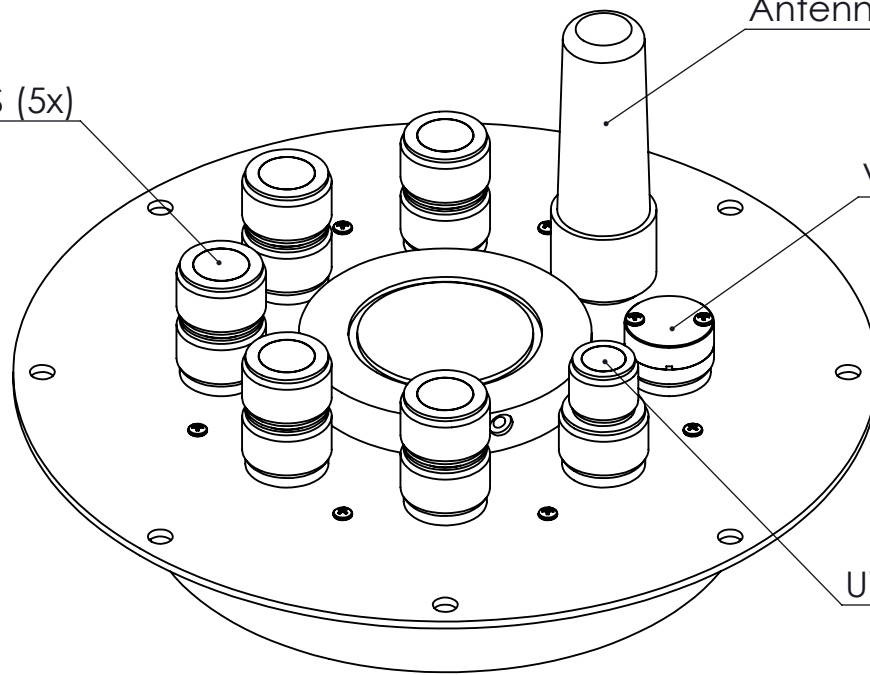


UW-8 SensorBUS (5x)

Antenna (optional)

Vent

UW-6 Power/Com



DRAWING DIMENSIONS IN INCHES

TITLE:  
NEXSENS X2-CB

DRAWING NUMBER:  
NEX316

SHEET:  
1 of 1

This drawing and the information thereon is the property of NexSens Technology  
All unauthorized use and reproduction is prohibited. <www.NexSens.com>

