

DRAWING DIMENSIONS IN INCHES

TITLE:
NEXSENS CB-1250 DATA BUOY

DRAWING NUMBER:
NEX255

SHEET:
1 of 7

This drawing and the information thereon is the property of NexSens Technology. All unauthorized use and reproduction is prohibited. <www.NexSens.com>



CB-1250 BUOY ASSEMBLY

SENSOR
DEPLOYMENT
PIPE

SS MOORING LINE

CHAIN

ANCHOR

SENSOR
DEPLOYMENT
PIPE

WATER
QUALITY
SENSOR

DEPLOYMENT PIPE
SECTION CUT
(2X SCALE)

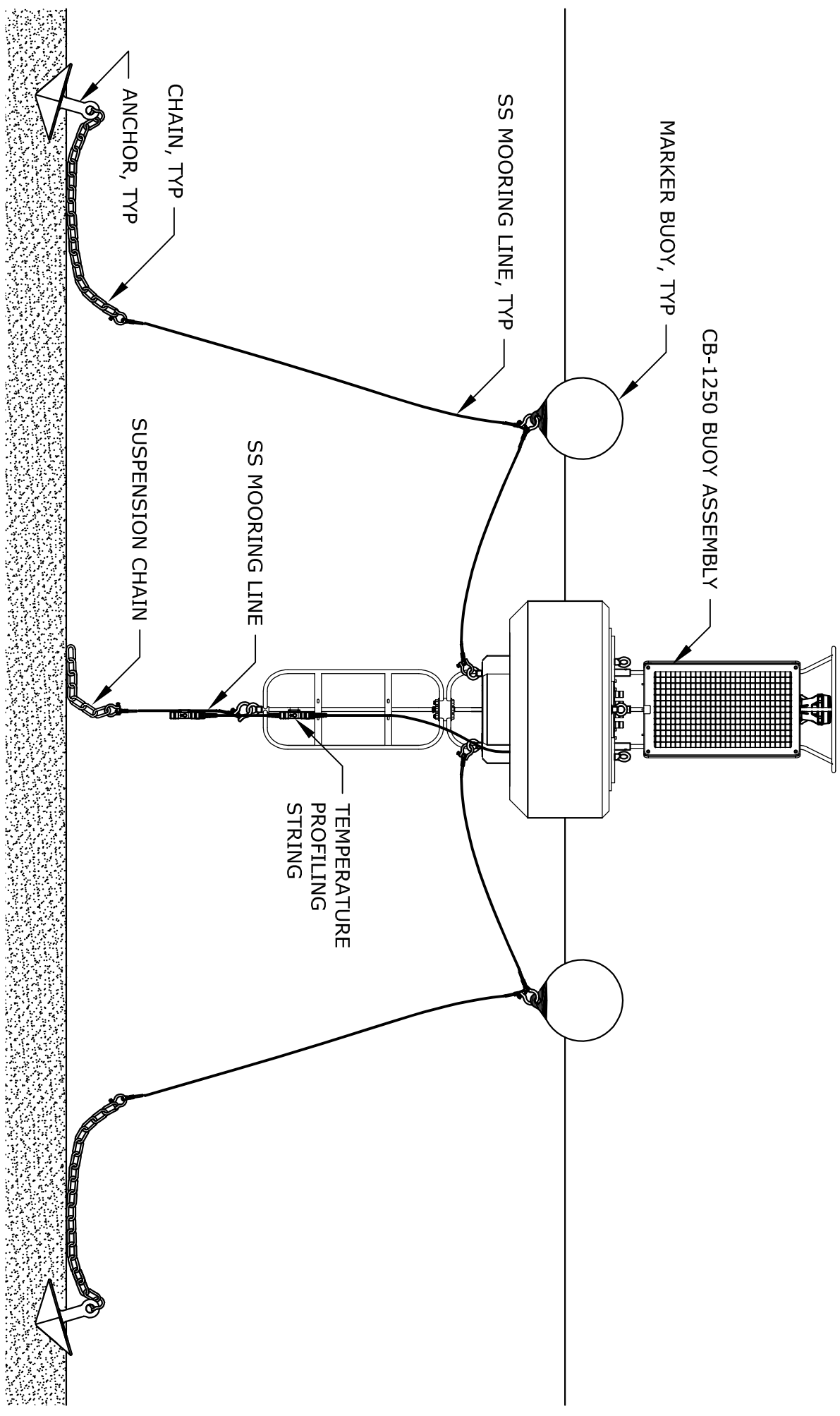
TITLE:
NEXSENS CB-1250 DATA BUOY - TYPICAL WATER QUALITY MONITORING SYSTEM

DRAWING NUMBER:
NEX256

SHEET:
2 of 7

This drawing and the information thereon is the property of NexSens Technology.
All unauthorized use and reproduction is prohibited. <www.NexSens.com>





TITLE:

NEXSENS CB-1250 DATA BUOY - TYPICAL TEMPERATURE PROFILING SYSTEM

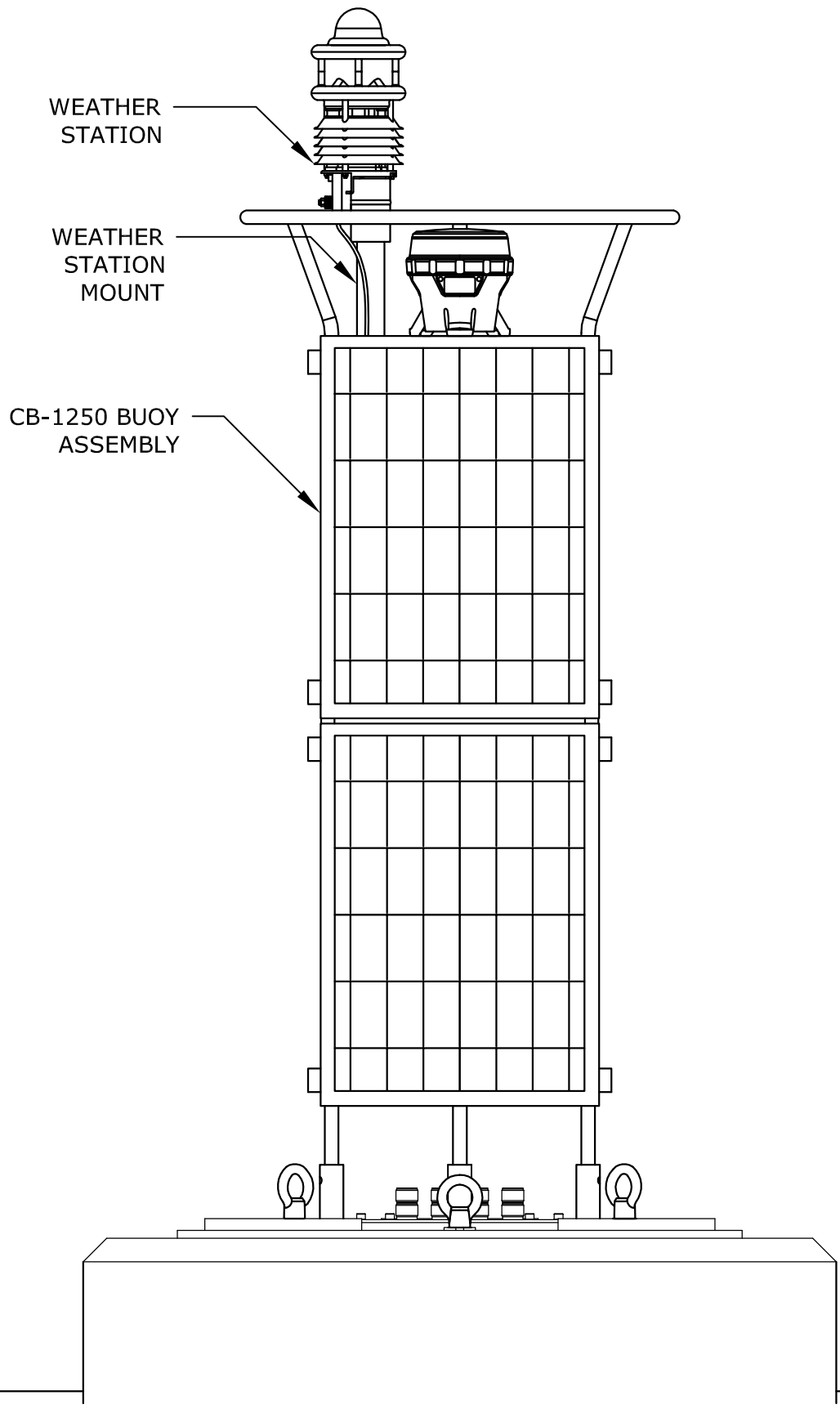
DRAWING NUMBER:
NEX257

SHEET:
3 of 7

Drawing Dimensions in Inches

This drawing and the information thereon is the property of NexSens Technology. All unauthorized use and reproduction is prohibited. <www.NexSens.com>





TITLE:
 NEXSENS CB-1250 DATA BUOY - TYPICAL WEATHER MONITORING SYSTEM

DRAWING NUMBER:
 NEX258

SHEET:
 4 of 7

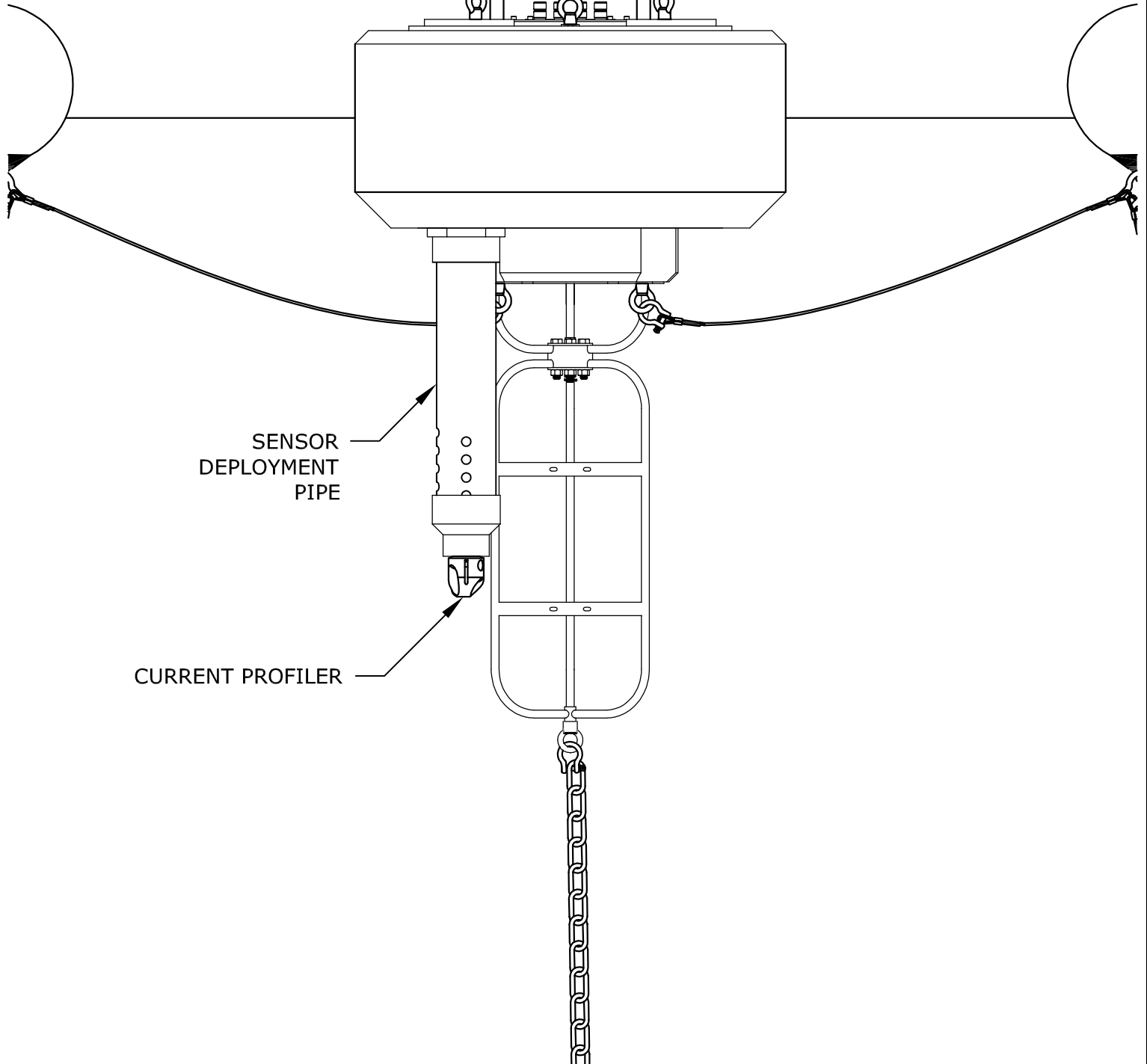
This drawing and the information thereon is the property of NexSens Technology. All unauthorized use and reproduction is prohibited. <www.NexSens.com>



CB-1250 BUOY ASSEMBLY

SENSOR
DEPLOYMENT
PIPE

CURRENT PROFILER



TITLE:

NEXSENS CB-1250 DATA BUOY - TYPICAL CURRENT PROFILING SYSTEM

DRAWING NUMBER:

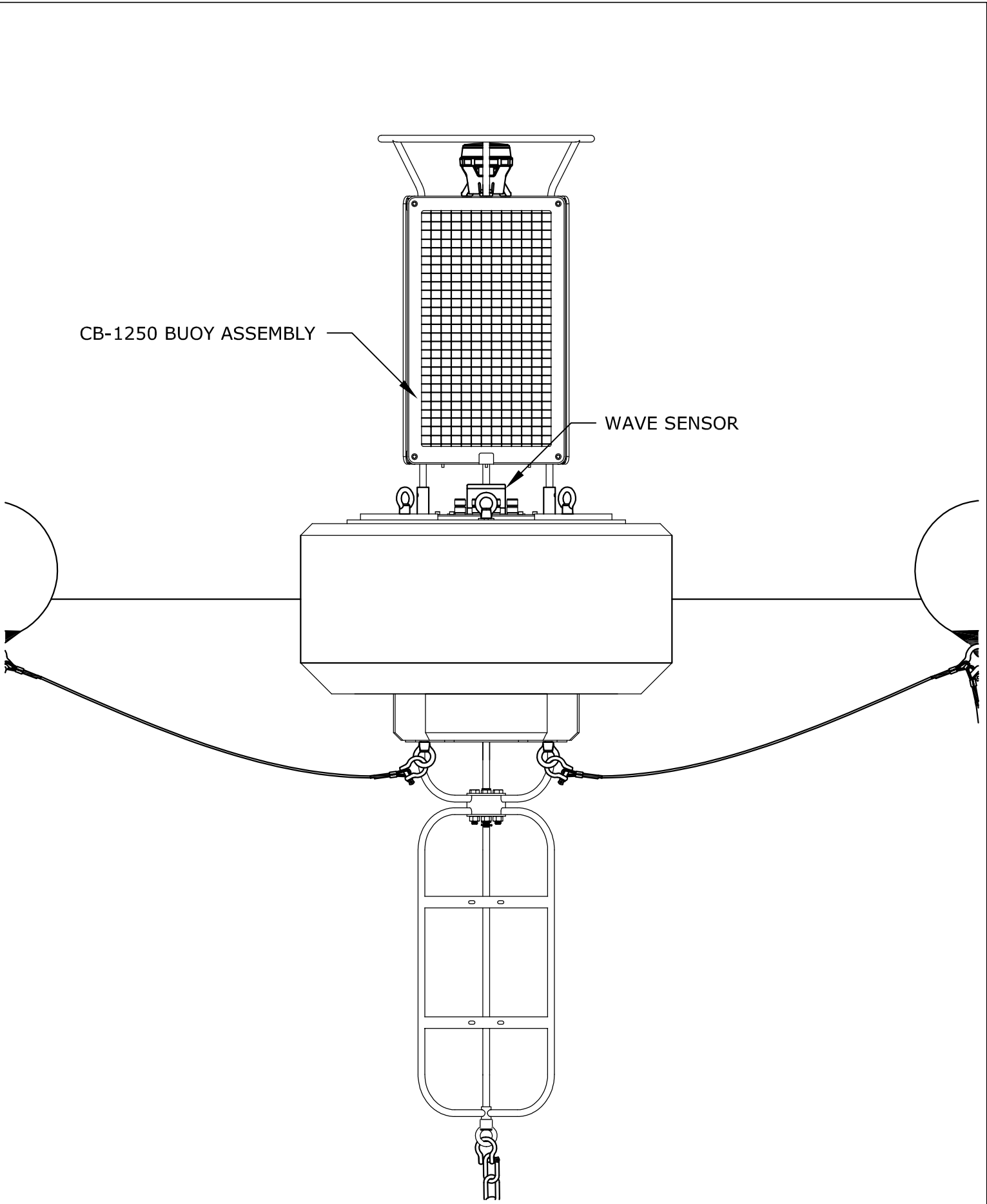
NEX259

SHEET:

5 of 7

This drawing and the information thereon is the property of NexSens Technology. All unauthorized use and reproduction is prohibited. <www.NexSens.com>





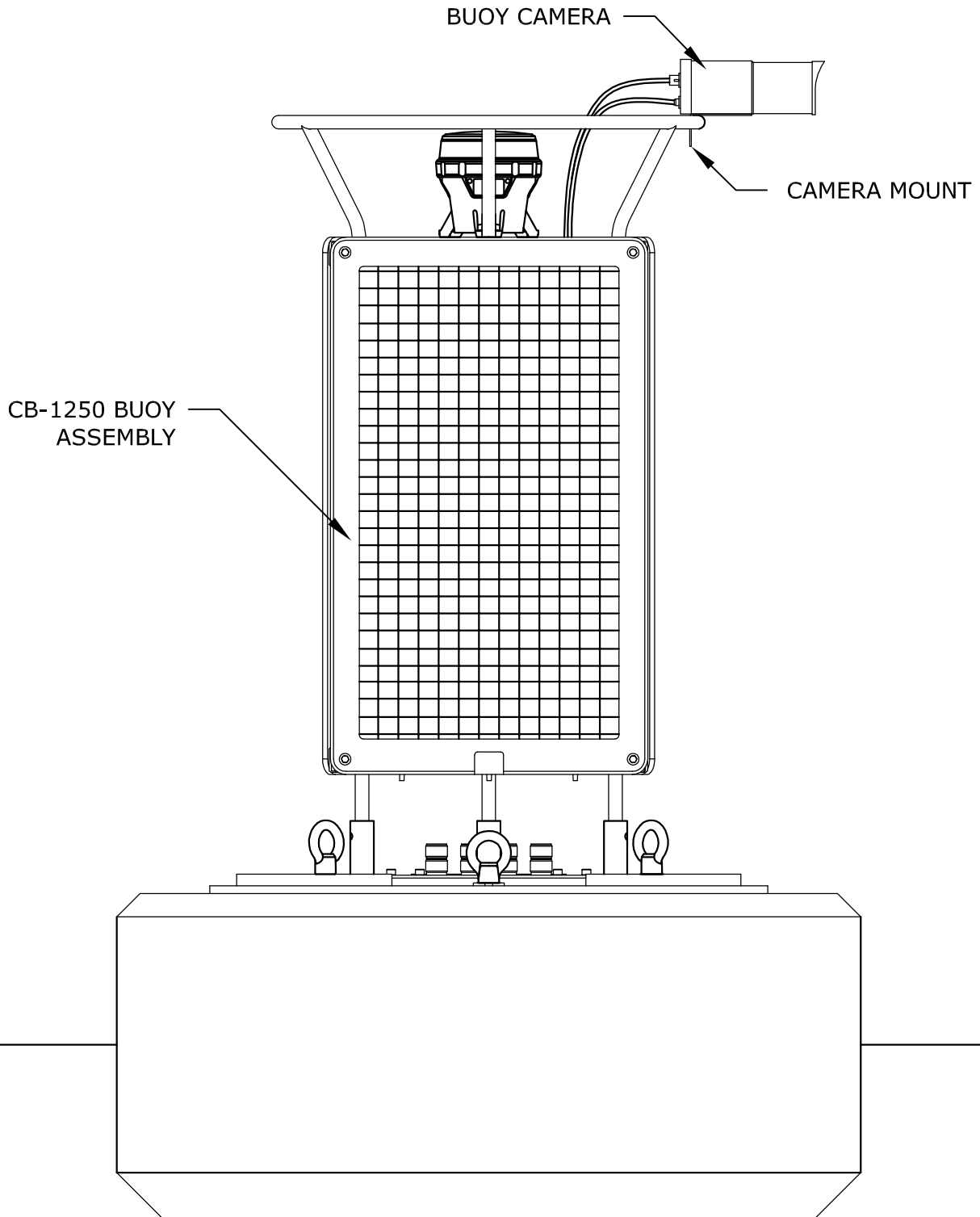
TITLE:
NEXSENS CB-1250 DATA BUOY - TYPICAL WAVE MONITORING SYSTEM

DRAWING NUMBER:
NEX260

SHEET:
6 of 7

This drawing and the information thereon is the property of NexSens Technology.
All unauthorized use and reproduction is prohibited. <www.NexSens.com>





TITLE:
 NEXSENS CB-1250 DATA BUOY - TYPICAL VIDEO MONITORING SYSTEM

DRAWING NUMBER:
 NEX261

SHEET:
 7 of 7

This drawing and the information thereon is the property of NexSens Technology.
 All unauthorized use and reproduction is prohibited. <www.NexSens.com>

